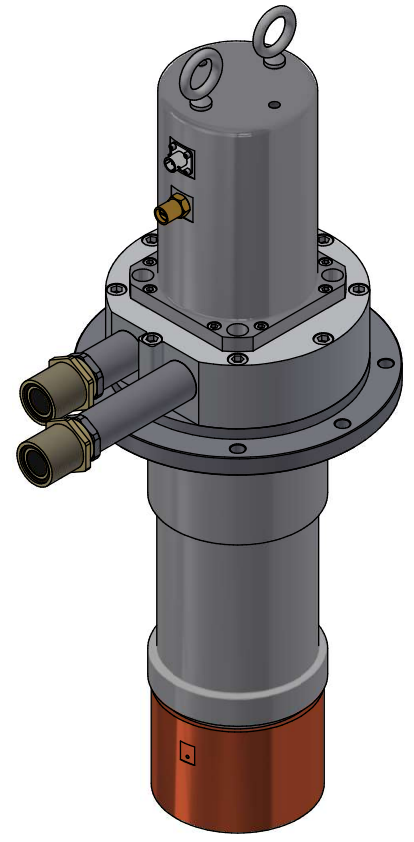
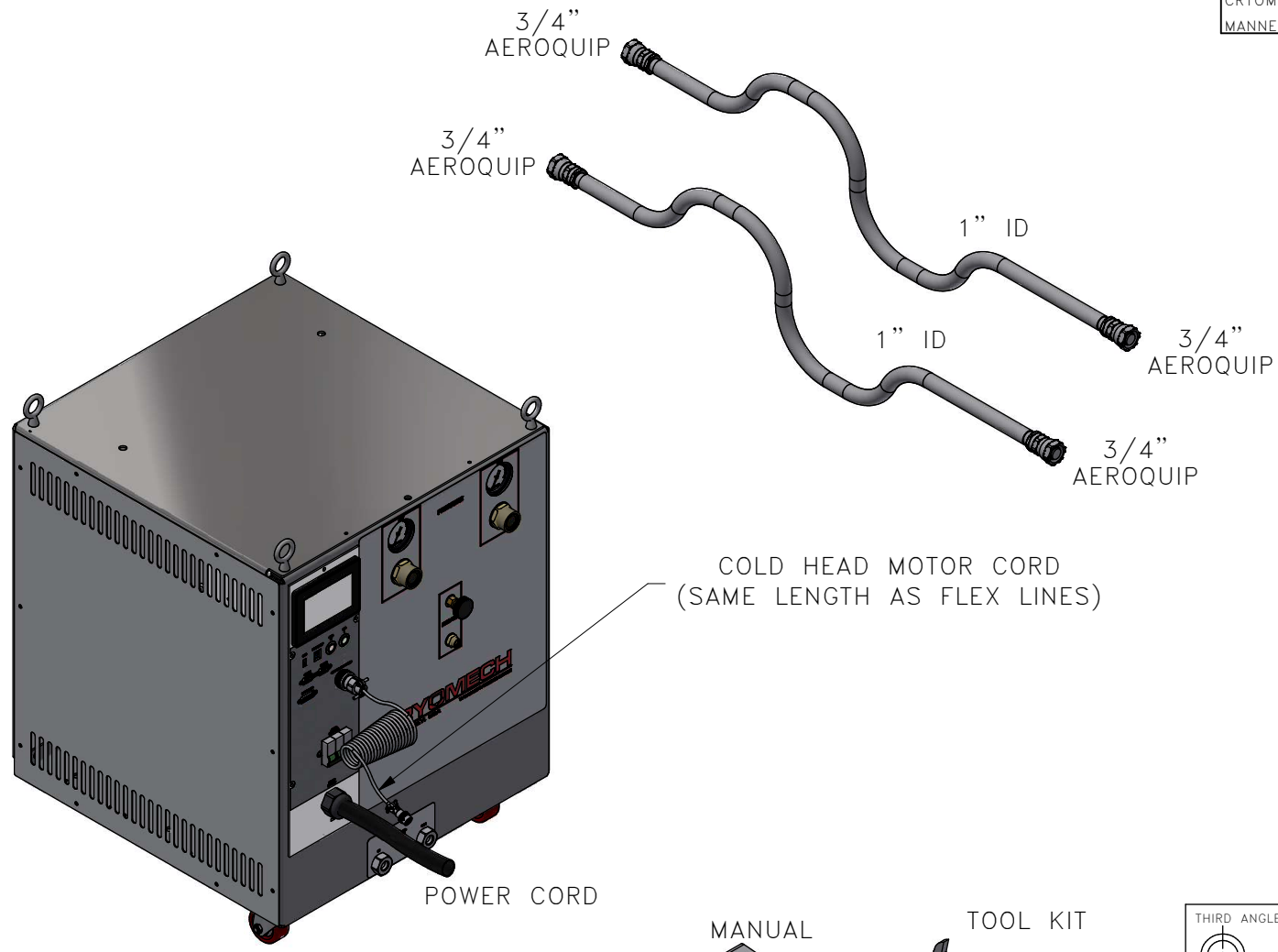


ALL INFORMATION CONTAINED IN THIS DOCUMENT SHOULD BE USED FOR REFERENCE PURPOSES ONLY & ARE SUBJECT TO CHANGE WITHOUT PRIOR NOTIFICATION. ALSO, THIS DOCUMENT IS CONSIDERED PROPRIETARY & THE SOLE PROPERTY OF CRYOMECH, INC. & SHOULD NOT BE REPRODUCED IN ANY MANNER WITHOUT PRIOR WRITTEN APPROVAL.

(2) LOW NOISE HELIUM FLEX LINES
STANDARD LENGTH: 10ft
OTHER LENGTHS AVAILABLE



AL630 COLD HEAD

THIRD ANGLE PROJECTION		CRYOMECH, INC. SYRACUSE, NY U.S.A. WWW.CRYOMECH.COM

UNLESS OTHERWISE SPECIFIED: ALL DIMENSIONS ARE IN INCHES
ALTERNATE UNITS IN "[]" ARE FOR REFERENCE ONLY
TOLERANCES: X & X 1/2 = ±1/16, X.XXX = ±.005, X.XX = ±.01
CIRCULAR RUNOUT .005 TIR, ANGULARITY .005, ALLOVER FINISH 25 Ra

NAME: AL630 CPA1114 CRYOCOOLER			
DWG #: AL630 CPA1114 SYSTEM		SHT 1 OF 1	
MATERIAL: AS STATED			
DWN BY: ADF	DATE: 10JUL18	SCALE: 7 : 20	DWG SIZE: A
1ST CHK: MRR	DATE: 22FEB21	2ND CHK: TS	DATE: 22FEB21
CUST: -		BTA: -	

4554	-	-	INITIAL RELEASE	05MAY20
ECN	ZONE	REV	DESCRIPTION	DATE