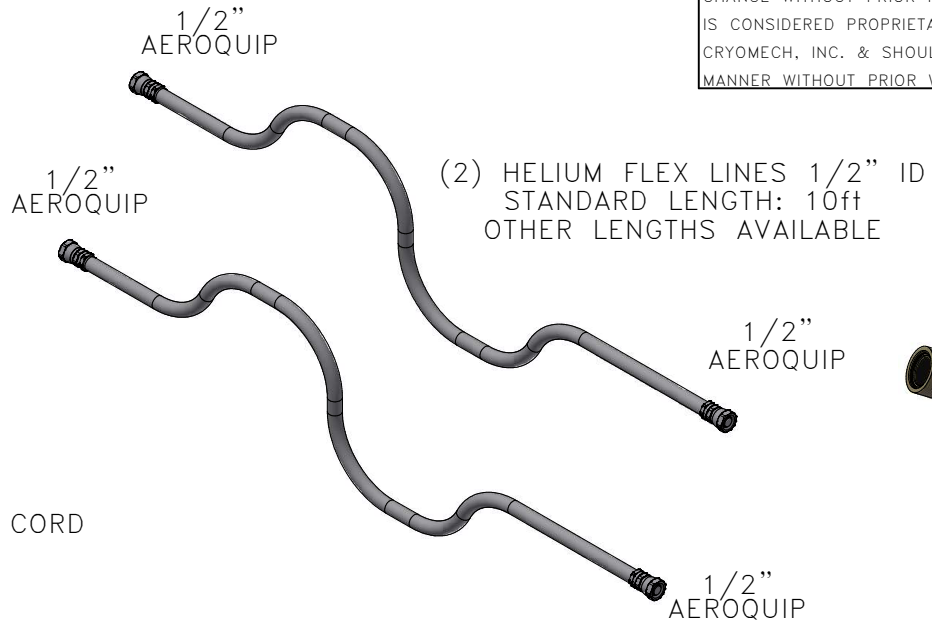


ALL INFORMATION CONTAINED IN THIS DOCUMENT SHOULD BE USED FOR REFERENCE PURPOSES ONLY & ARE SUBJECT TO CHANGE WITHOUT PRIOR NOTIFICATION. ALSO, THIS DOCUMENT IS CONSIDERED PROPRIETARY & THE SOLE PROPERTY OF CRYOMECH, INC. & SHOULD NOT BE REPRODUCED IN ANY MANNER WITHOUT PRIOR WRITTEN APPROVAL.

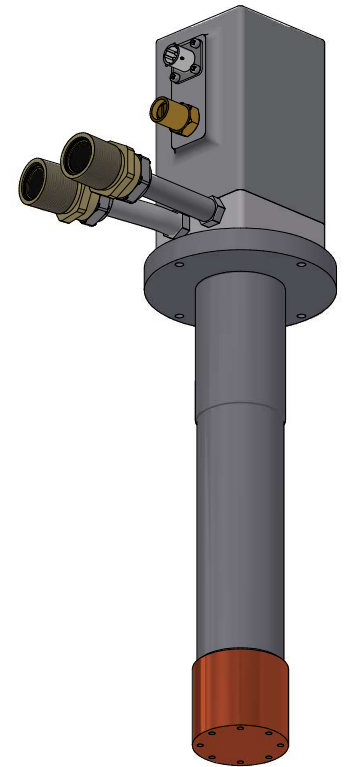


CP103 COMPRESSOR PACKAGE (AIR COOLED)



POWER CORD

COLDHEAD MOTOR CORD (SAME LENGTH AS FLEX LINES)

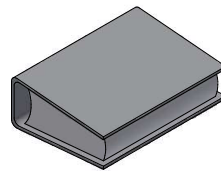


AL63 COLD HEAD

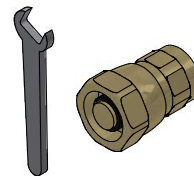


CP103 COMPRESSOR PACKAGE (WATER COOLED)

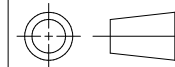
MANUAL



TOOL KIT



THIRD ANGLE PROJECTION



**CRYOMECH, INC.**  
SYRACUSE, NY U.S.A. WWW.CRYOMECH.COM

UNLESS OTHERWISE SPECIFIED: ALL DIMENSIONS ARE IN INCHES  
ALTERNATE UNITS IN "[ ]" ARE FOR REFERENCE ONLY  
TOLERANCES: X & X 1/2 = ±1/16, X.XXX = ±.005, X.XX = ±.01  
CIRCULAR RUNOUT .005 TIR, ANGULARITY .005, ALLOVER FINISH 25 Ra

NAME: AL63 CRYOREFRIGERATOR  
DWG #: AL63 SYSTEM SHT 1 OF 1  
MATERIAL: AS STATED

DWN BY: BL DATE: 19JUL04 SCALE: 1:2 DWG SIZE: A  
1ST CHK: RED DATE: 03AUG04 2ND CHK: JPC DATE: 03AUG04  
CUST: - BTA: BTA-AL63

ECN	ZONE	REV	DESCRIPTION	DATE
3940	-	B	CP100 COMPRESSORS REPLACE CP800's	16MAR17
599	-	A	CHANGED FROM 2-D TO 3-D	28JUL04