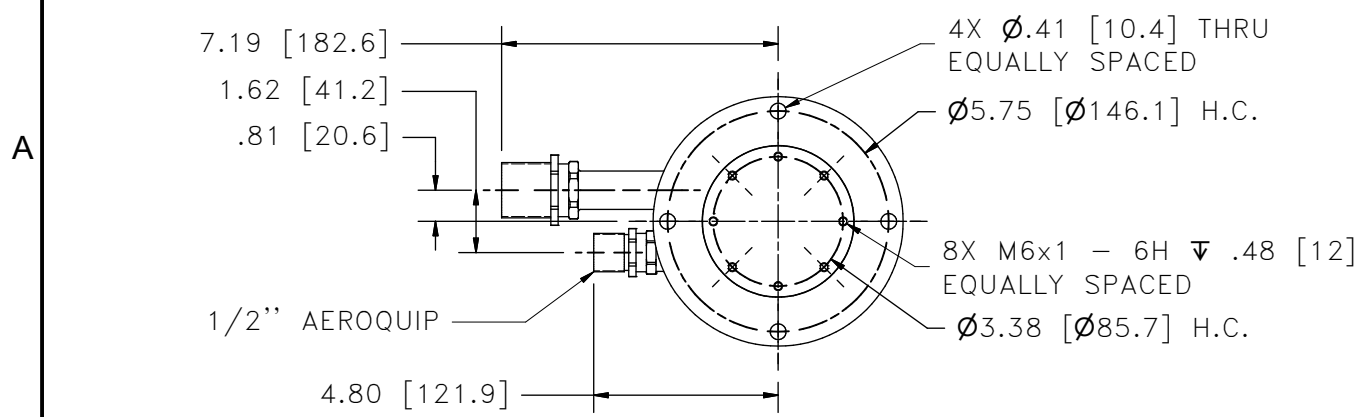
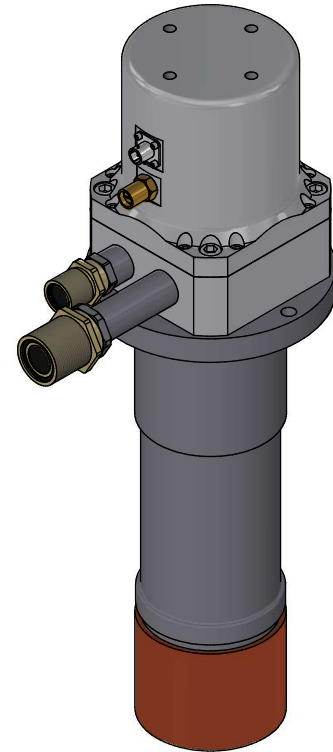
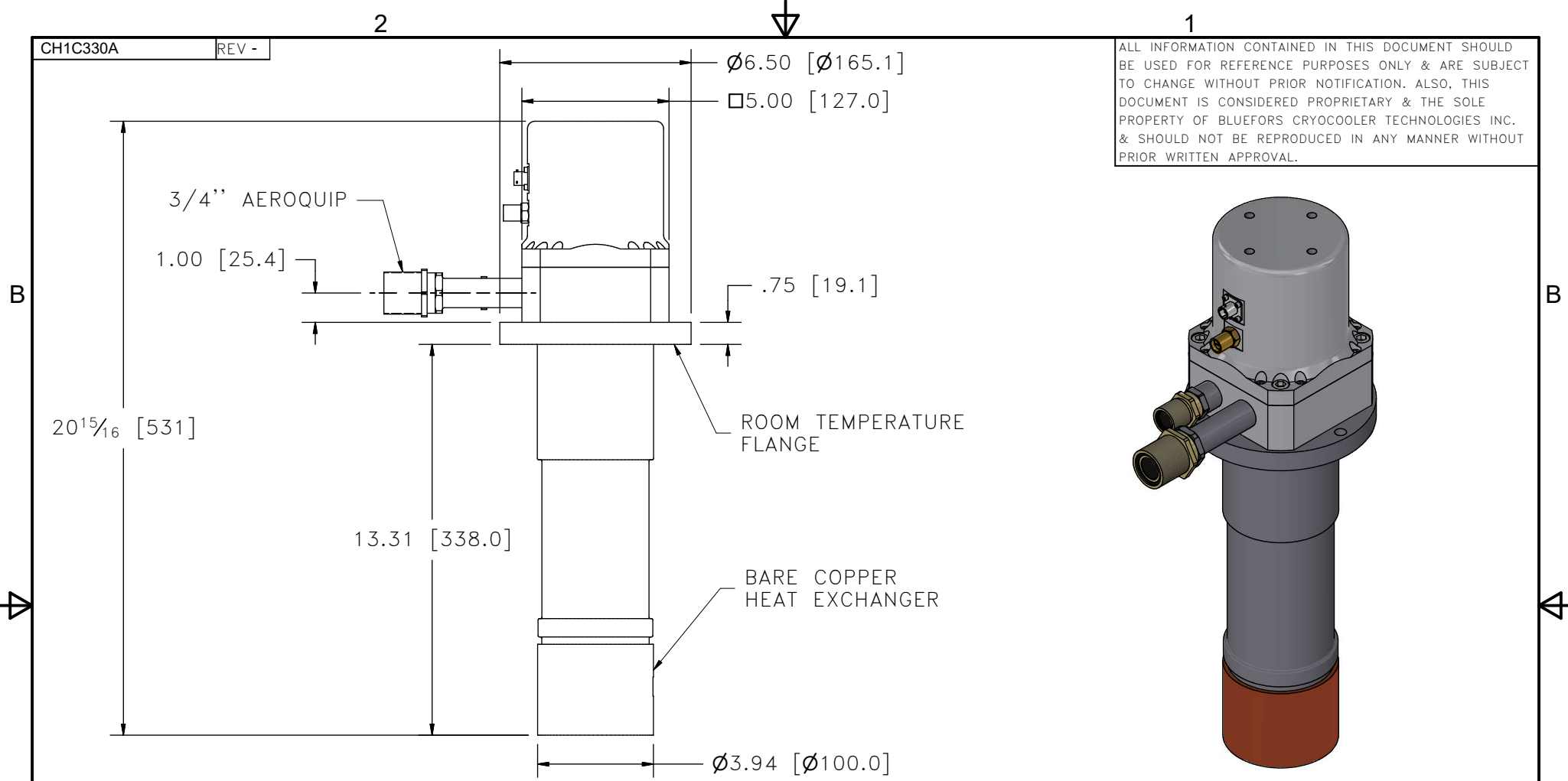


CH1C330A REV -

ALL INFORMATION CONTAINED IN THIS DOCUMENT SHOULD BE USED FOR REFERENCE PURPOSES ONLY & ARE SUBJECT TO CHANGE WITHOUT PRIOR NOTIFICATION. ALSO, THIS DOCUMENT IS CONSIDERED PROPRIETARY & THE SOLE PROPERTY OF BLUEFORS CRYOCOOLER TECHNOLOGIES INC. & SHOULD NOT BE REPRODUCED IN ANY MANNER WITHOUT PRIOR WRITTEN APPROVAL.



THIRD ANGLE PROJECTION		CRYOMECH	
		BLUEFORS CRYOCOOLER TECHNOLOGIES INC.	
		SYRACUSE, NY U.S.A. WWW.CRYOMECH.COM	
UNLESS OTHERWISE SPECIFIED: ALL DIMENSIONS ARE IN INCHES ALTERNATE UNITS IN "[]" ARE FOR REFERENCE ONLY TOLERANCES: X & X 1/2 = ±1/16, X.XXX = ±.005, X.XX = ±.01 CIRCULAR RUNOUT .005 TIR, ANGULARITY .005, ALLOVER FINISH 25 Ra			
NAME: AL330 COLDHEAD, STANDARD			
DWG #: CH1C330A		SHT 1 OF 1	
MATERIAL: 103-806			
DWN BY: JRB	DATE: 06MAR23	SCALE: 1:5	DWG SIZE: A
1ST CHK: GJG DATE: 03APR23		2ND CHK: MRR DATE: 10APR23	
CUST: -		BTA: BTA-CH10330	

5330	-	-	INITIAL RELEASE	06MAR23
ECN	ZONE	REV	DESCRIPTION	DATE

THIS DRAWING SUPERCEDES CH1C330

2

1