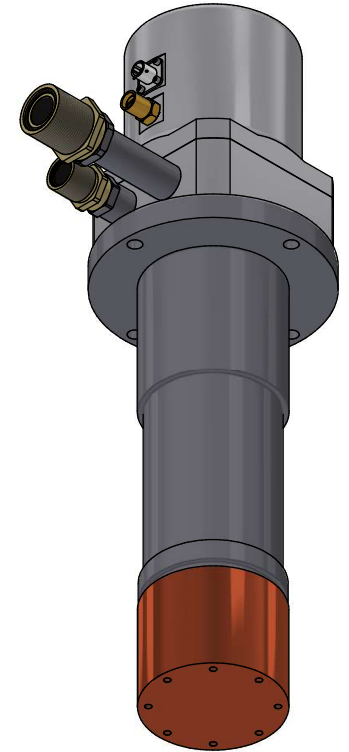
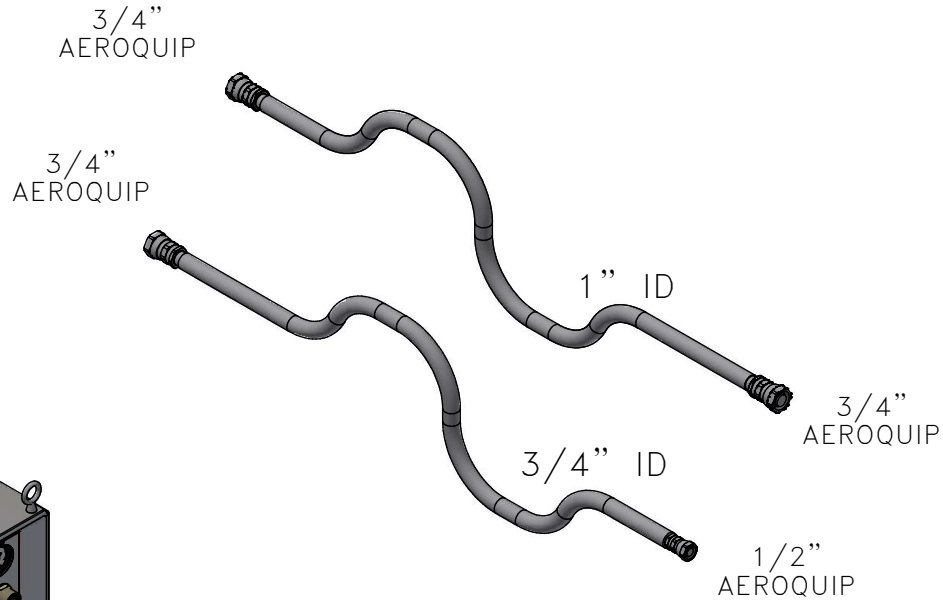
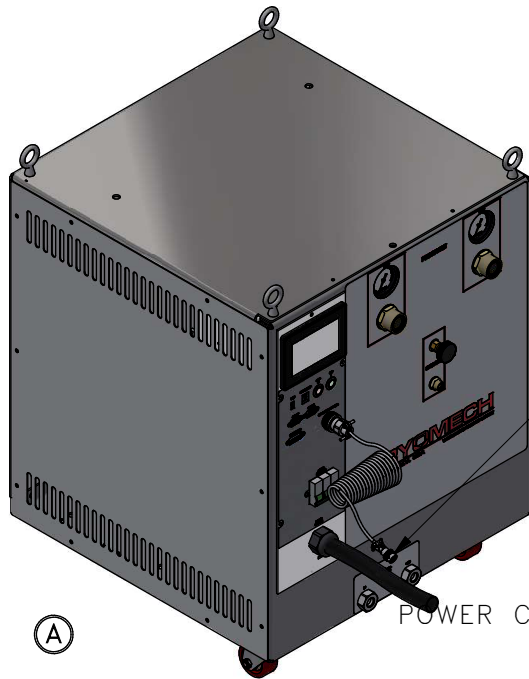


ALL INFORMATION CONTAINED IN THIS DOCUMENT SHOULD BE USED FOR REFERENCE PURPOSES ONLY & ARE SUBJECT TO CHANGE WITHOUT PRIOR NOTIFICATION. ALSO, THIS DOCUMENT IS CONSIDERED PROPRIETARY & THE SOLE PROPERTY OF CRYOMECH, INC. & SHOULD NOT BE REPRODUCED IN ANY MANNER WITHOUT PRIOR WRITTEN APPROVAL.

(2) LOW NOISE HELIUM FLEX LINES  
 (A) STANDARD LENGTH: 10 ft  
 OTHER LENGTHS AVAILABLE



AL325 COLD HEAD

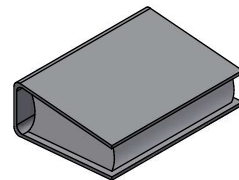


CPA1110 COMPRESSOR PACKAGE  
 (WATER COOLED)

COLD HEAD  
 MOTOR CORD  
 (SAME LENGTH  
 AS FLEX LINES)

POWER CORD

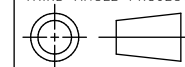
MANUAL



TOOL KIT



THIRD ANGLE PROJECTION



**CRYOMECH, INC.**

SYRACUSE, NY U.S.A. WWW.CRYOMECH.COM

UNLESS OTHERWISE SPECIFIED: ALL DIMENSIONS ARE IN INCHES  
 ALTERNATE UNITS IN "[ ]" ARE FOR REFERENCE ONLY  
 TOLERANCES: X & X 1/2 = ±1/16, X.XXX = ±.005, X.XX = ±.01  
 CIRCULAR RUNOUT .005 TIR, ANGULARITY .005, ALLOVER FINISH 25 Ra

NAME: AL325 CPA1110 CRYOCOOLER  
 DWG #: AL325 CPA1110 SYSTEM SHT 1 OF 1  
 MATERIAL: AS STATED

3745	-	A	UPDATED COMPRESSOR PACKAGE	25MAY16	DWN BY: BMR	DATE: 13JUN11	SCALE: 1:4	DWG SIZE: A
2630	-	-	INITIAL RELEASE	13JUN11	1ST CHK: BS	DATE: 17JUN11	2ND CHK: PB	DATE: 17JUN11
ECN	ZONE	REV	DESCRIPTION	DATE	CUST: -		BTA: -	