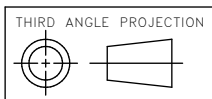
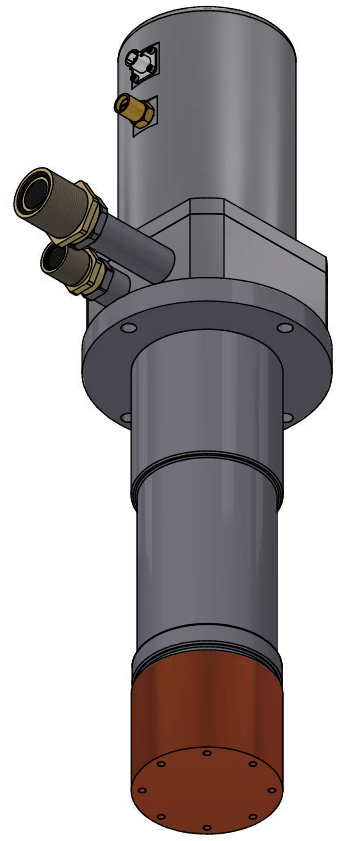
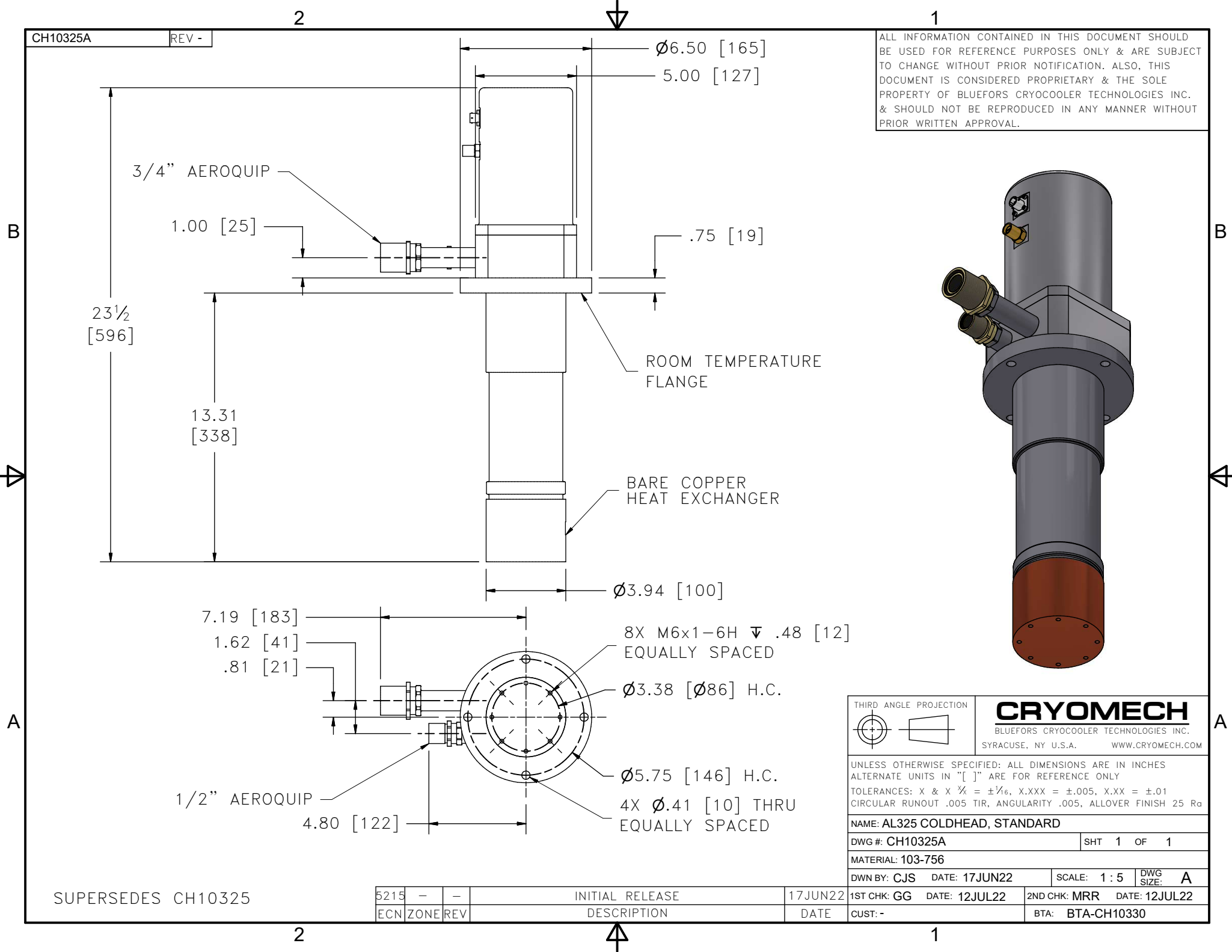


ALL INFORMATION CONTAINED IN THIS DOCUMENT SHOULD BE USED FOR REFERENCE PURPOSES ONLY & ARE SUBJECT TO CHANGE WITHOUT PRIOR NOTIFICATION. ALSO, THIS DOCUMENT IS CONSIDERED PROPRIETARY & THE SOLE PROPERTY OF BLUEFORS CRYOCOOLER TECHNOLOGIES INC. & SHOULD NOT BE REPRODUCED IN ANY MANNER WITHOUT PRIOR WRITTEN APPROVAL.



CRYOMECH
 BLUEFORS CRYOCOOLER TECHNOLOGIES INC.
 SYRACUSE, NY U.S.A. WWW.CRYOMECH.COM

UNLESS OTHERWISE SPECIFIED: ALL DIMENSIONS ARE IN INCHES
 ALTERNATE UNITS IN "[]" ARE FOR REFERENCE ONLY
 TOLERANCES: X & X $\frac{1}{2}$ = $\pm \frac{1}{16}$, X.XXX = $\pm .005$, X.XX = $\pm .01$
 CIRCULAR RUNOUT .005 TIR, ANGULARITY .005, ALLOVER FINISH 25 Ra

NAME: AL325 COLDHEAD, STANDARD	
DWG #: CH10325A	SHT 1 OF 1
MATERIAL: 103-756	
DWN BY: CJS	DATE: 17JUN22
SCALE: 1:5	DWG SIZE: A
1ST CHK: GG	DATE: 12JUL22
2ND CHK: MRR	DATE: 12JUL22
CUST: -	BTA: BTA-CH10330

SUPERSEDES CH10325

ECN	ZONE	REV	DESCRIPTION	DATE
5215	-	-	INITIAL RELEASE	17JUN22