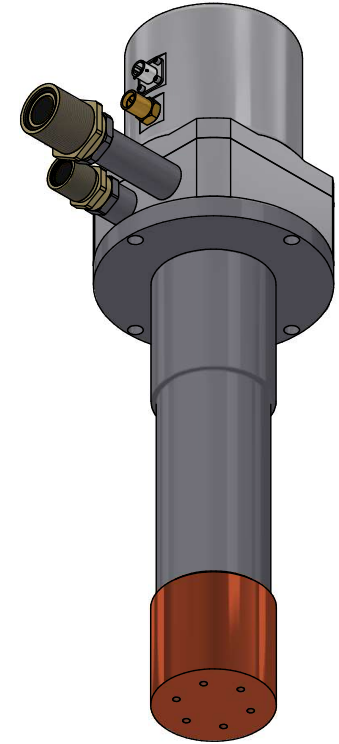
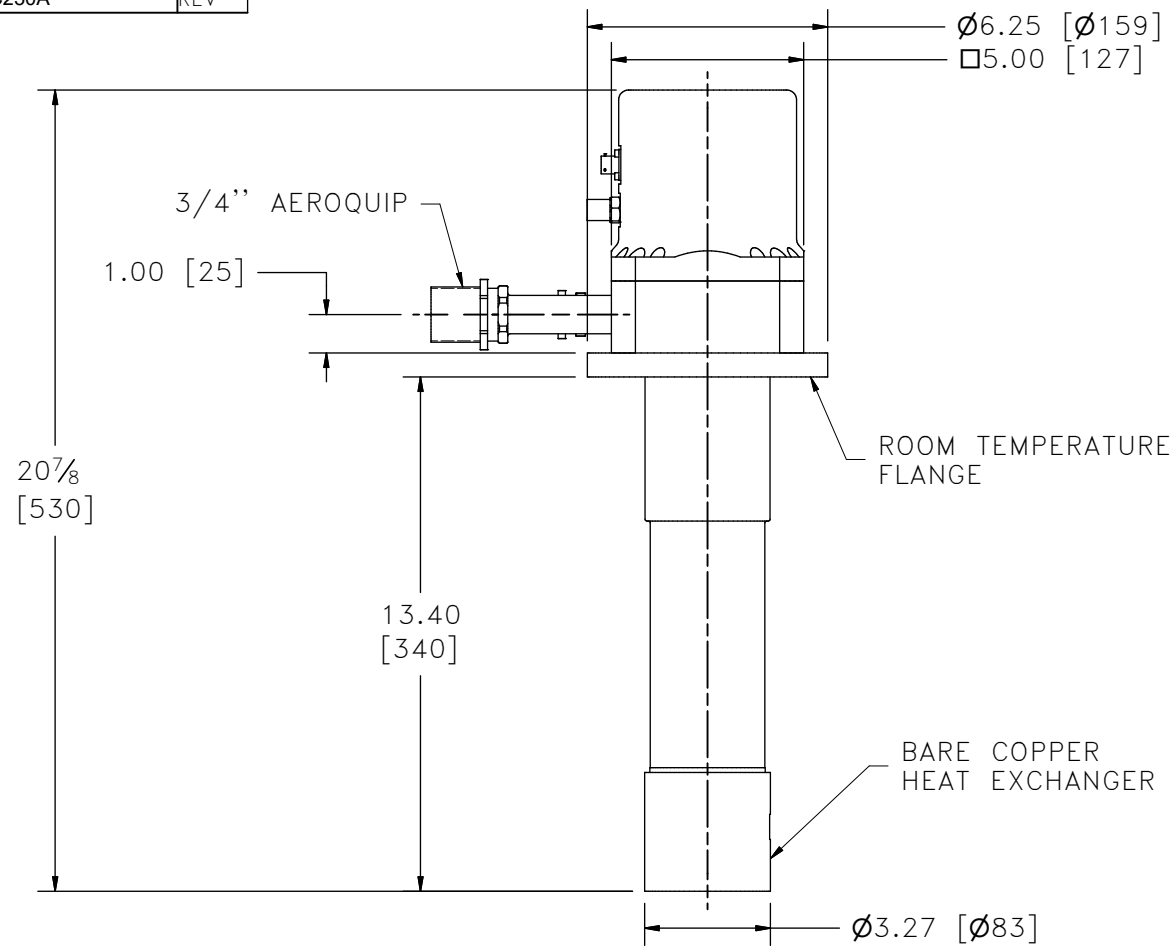


CH1C230A REV -

1  
ALL INFORMATION CONTAINED IN THIS DOCUMENT SHOULD BE USED FOR REFERENCE PURPOSES ONLY & ARE SUBJECT TO CHANGE WITHOUT PRIOR NOTIFICATION. ALSO, THIS DOCUMENT IS CONSIDERED PROPRIETARY & THE SOLE PROPERTY OF BLUEFORS CRYOCOOLER TECHNOLOGIES INC. & SHOULD NOT BE REPRODUCED IN ANY MANNER WITHOUT PRIOR WRITTEN APPROVAL.

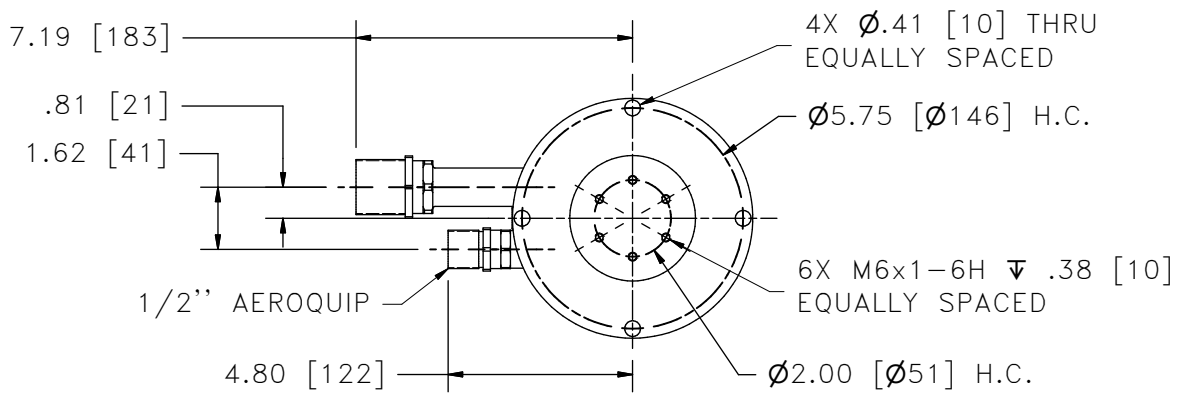
B

B



A

A



THIRD ANGLE PROJECTION

**CRYOMECH**  
BLUEFORS CRYOCOOLER TECHNOLOGIES INC.  
SYRACUSE, NY U.S.A. WWW.CRYOMECH.COM

UNLESS OTHERWISE SPECIFIED: ALL DIMENSIONS ARE IN INCHES  
ALTERNATE UNITS IN "[ ]" ARE FOR REFERENCE ONLY  
TOLERANCES: X & X 1/2 = ±1/16, X.XXX = ±.005, X.XX = ±.01  
CIRCULAR RUNOUT .005 TIR, ANGULARITY .005, ALLOVER FINISH 25 Ra

NAME: AL230 COLDHEAD, STANDARD	
DWG #: CH1C230A	SHT 1 OF 1
MATERIAL: 103-771	
DWN BY: CJS	DATE: 26OCT22
SCALE: 1:5	DWG SIZE: A
1ST CHK: GJG	DATE: 07NOV22
2ND CHK: MRR	DATE: 02DEC22
CUST: -	BTA: BTA-CH1A230

SUPERCEDES CH1C230

5275	-	-	INITIAL RELEASE	26OCT22
ECN	ZONE	REV	DESCRIPTION	DATE

2

1