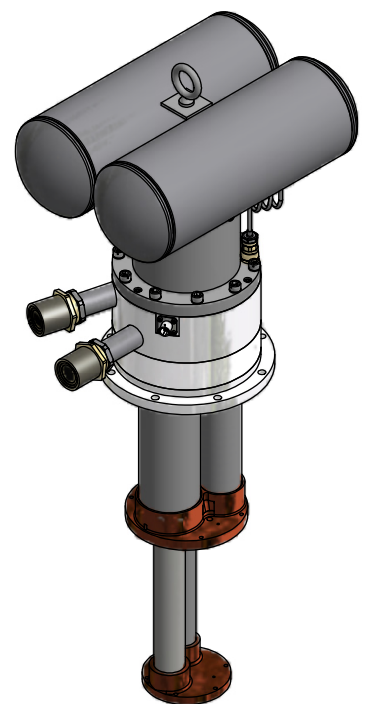
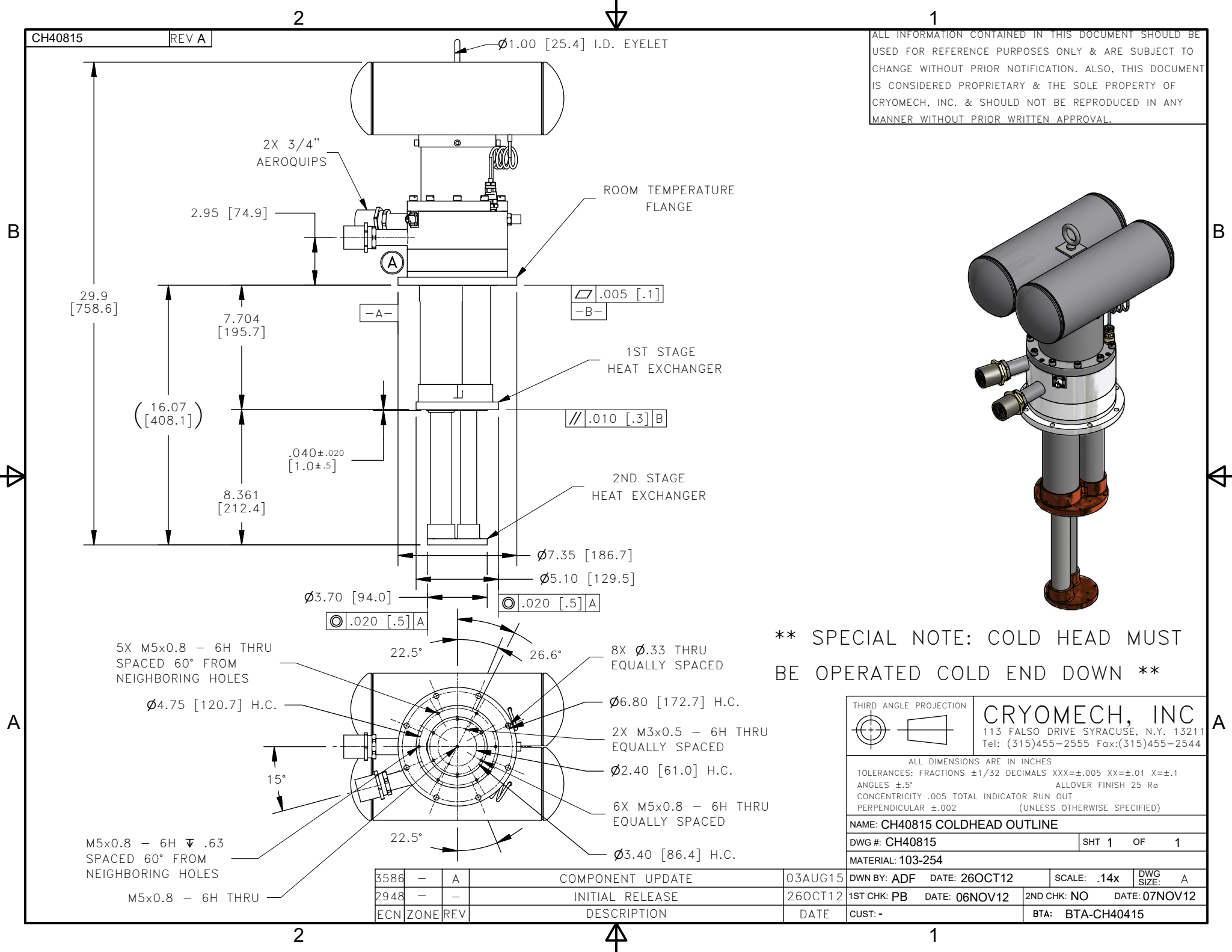


ALL INFORMATION CONTAINED IN THIS DOCUMENT SHOULD BE USED FOR REFERENCE PURPOSES ONLY & ARE SUBJECT TO CHANGE WITHOUT PRIOR NOTIFICATION. ALSO, THIS DOCUMENT IS CONSIDERED PROPRIETARY & THE SOLE PROPERTY OF CRYOMECH, INC. & SHOULD NOT BE REPRODUCED IN ANY MANNER WITHOUT PRIOR WRITTEN APPROVAL.



**** SPECIAL NOTE: COLD HEAD MUST BE OPERATED COLD END DOWN ****

THIRD ANGLE PROJECTION

CRYOMECH, INC
 113 FALSO DRIVE SYRACUSE, N.Y. 13211
 Tel: (315)455-2555 Fax:(315)455-2544

ALL DIMENSIONS ARE IN INCHES
 TOLERANCES: FRACTIONS ±1/32 DECIMALS XXX=±.005 XX=±.01 X=±.1
 ANGLES ±.5° ALLOVER FINISH 25 Ra
 CONCENTRICITY .005 TOTAL INDICATOR RUN OUT
 PERPENDICULAR ±.002 (UNLESS OTHERWISE SPECIFIED)

NAME: CH40815 COLDHEAD OUTLINE			
DWG #: CH40815		SHT 1 OF 1	
MATERIAL: 103-254			
DWN BY: ADF	DATE: 26OCT12	SCALE: .14x	DWG SIZE: A
1ST CHK: PB	DATE: 06NOV12	2ND CHK: NO	DATE: 07NOV12
CUST: -		BTA: BTA-CH40415	

ECN	ZONE	REV	DESCRIPTION	DATE
3586	-	A	COMPONENT UPDATE	03AUG15
2948	-	-	INITIAL RELEASE	26OCT12