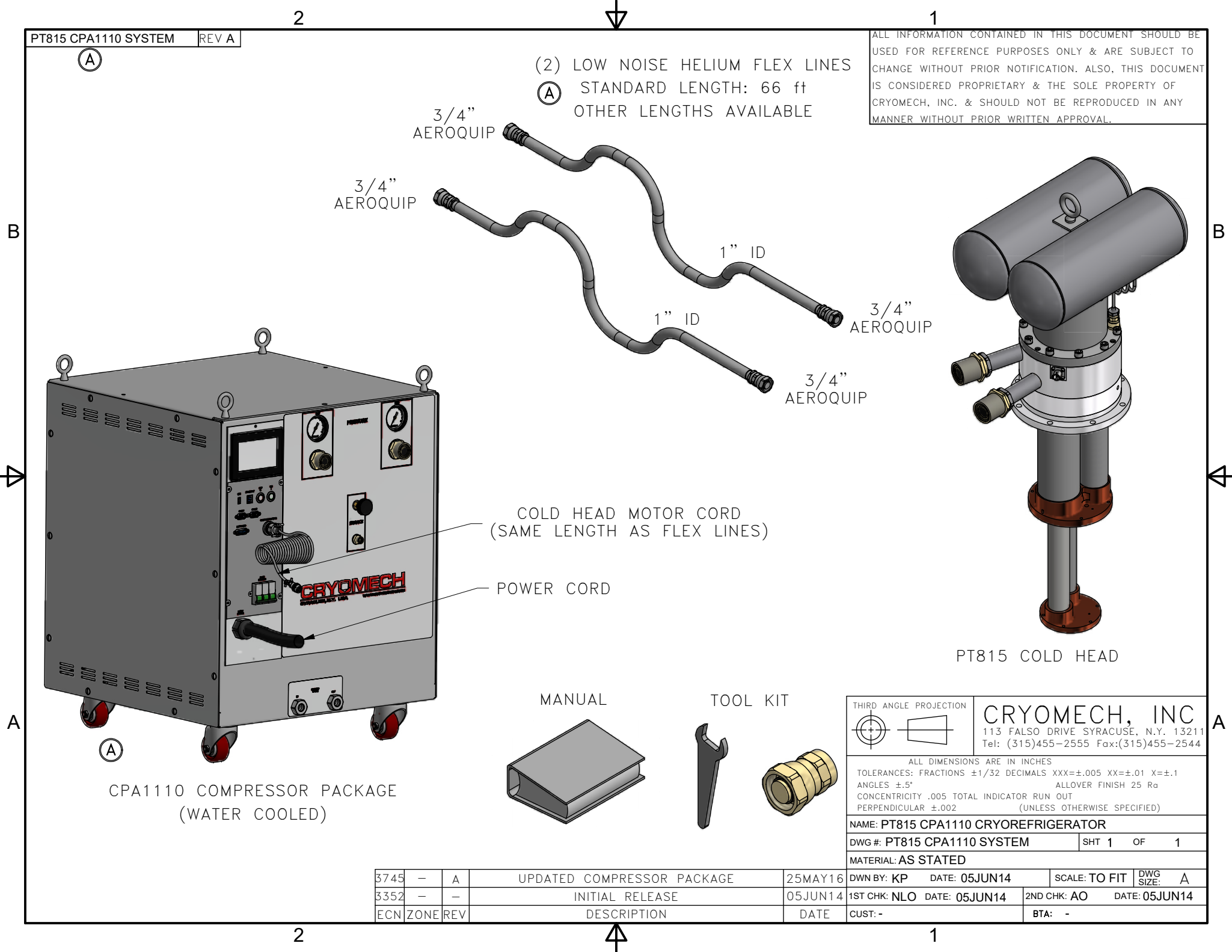


ALL INFORMATION CONTAINED IN THIS DOCUMENT SHOULD BE USED FOR REFERENCE PURPOSES ONLY & ARE SUBJECT TO CHANGE WITHOUT PRIOR NOTIFICATION. ALSO, THIS DOCUMENT IS CONSIDERED PROPRIETARY & THE SOLE PROPERTY OF CRYOMECH, INC. & SHOULD NOT BE REPRODUCED IN ANY MANNER WITHOUT PRIOR WRITTEN APPROVAL.



(2) LOW NOISE HELIUM FLEX LINES
 STANDARD LENGTH: 66 ft
 OTHER LENGTHS AVAILABLE

3/4" AEROQUIP

3/4" AEROQUIP

1" ID

1" ID

3/4" AEROQUIP

3/4" AEROQUIP

COLD HEAD MOTOR CORD
 (SAME LENGTH AS FLEX LINES)

POWER CORD

PT815 COLD HEAD

MANUAL

TOOL KIT

CPA1110 COMPRESSOR PACKAGE
 (WATER COOLED)

| | | | |
|---|---------------|---|----------------------------|
| THIRD ANGLE PROJECTION | | | |
| <p>CRYOMECH, INC 113 FALSO DRIVE SYRACUSE, N.Y. 13211 Tel: (315)455-2555 Fax:(315)455-2544</p> | | <p>ALL DIMENSIONS ARE IN INCHES TOLERANCES: FRACTIONS ±1/32 DECIMALS XXX=±.005 XX=±.01 X=±.1 ANGLES ±.5° ALLOVER FINISH 25 Ra CONCENTRICITY .005 TOTAL INDICATOR RUN OUT PERPENDICULAR ±.002 (UNLESS OTHERWISE SPECIFIED)</p> | |
| NAME: PT815 CPA1110 CRYOREFRIGERATOR | | | |
| DWG #: PT815 CPA1110 SYSTEM | | SHT 1 OF 1 | |
| MATERIAL: AS STATED | | | |
| 3745 | - | A | UPDATED COMPRESSOR PACKAGE |
| 3352 | - | - | INITIAL RELEASE |
| ECN | ZONE | REV | DESCRIPTION |
| 25MAY16 | | | DATE |
| 05JUN14 | | | DATE |
| DWN BY: KP | DATE: 05JUN14 | SCALE: TO FIT | DWG SIZE: A |
| 1ST CHK: NLO | DATE: 05JUN14 | 2ND CHK: AO | DATE: 05JUN14 |
| CUST: - | | BTA: - | |

| | | | | |
|------|------|-----|----------------------------|---------|
| 3745 | - | A | UPDATED COMPRESSOR PACKAGE | 25MAY16 |
| 3352 | - | - | INITIAL RELEASE | 05JUN14 |
| ECN | ZONE | REV | DESCRIPTION | DATE |

| | | | |
|--------------|---------------|---------------|---------------|
| DWN BY: KP | DATE: 05JUN14 | SCALE: TO FIT | DWG SIZE: A |
| 1ST CHK: NLO | DATE: 05JUN14 | 2ND CHK: AO | DATE: 05JUN14 |
| CUST: - | | BTA: - | |