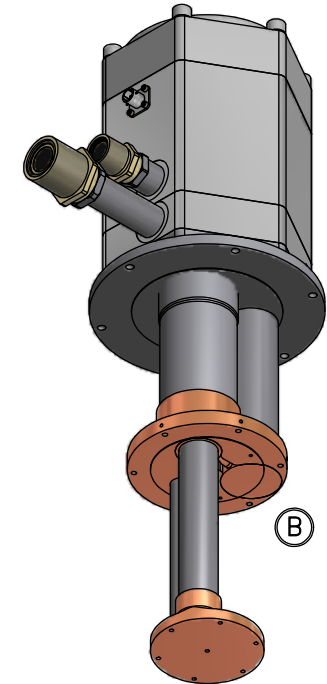
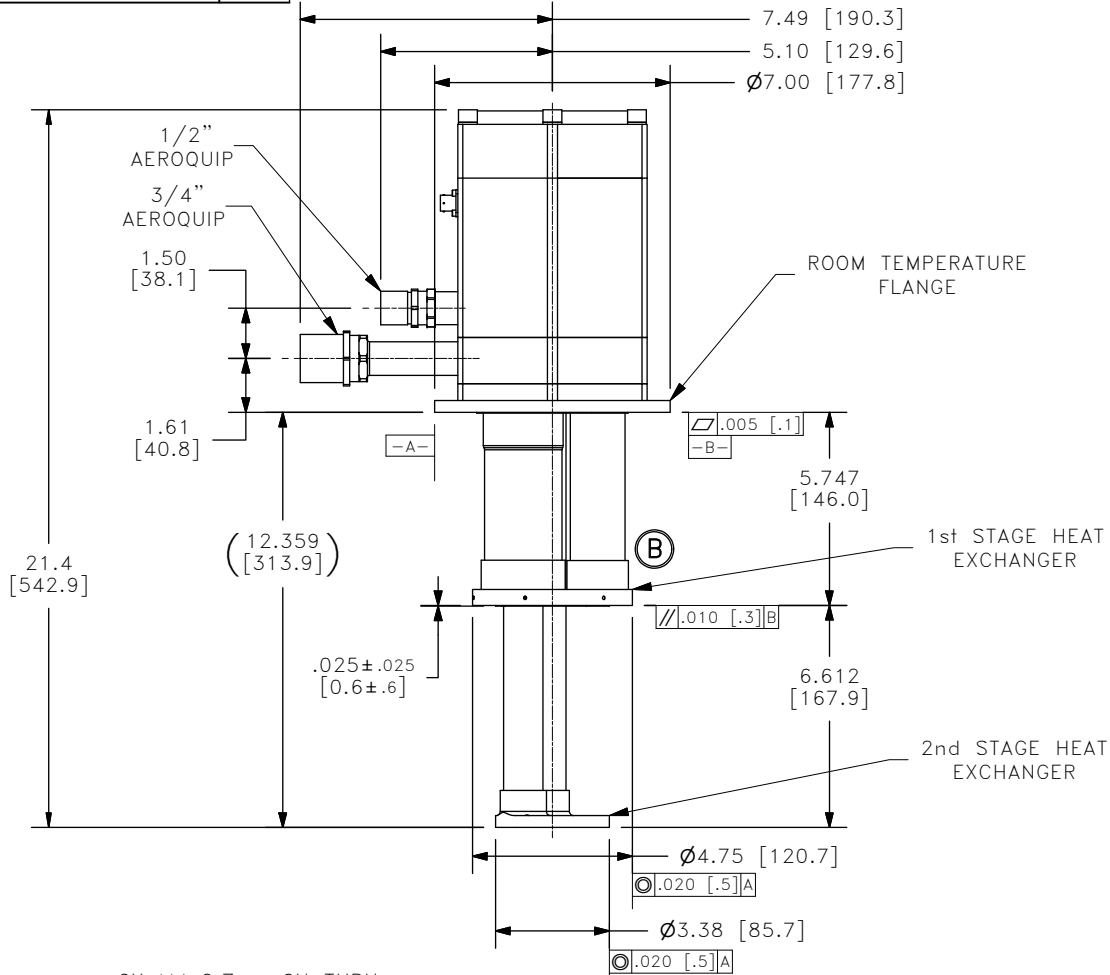
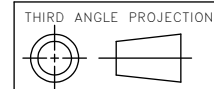


CH40805 REV B

ALL INFORMATION CONTAINED IN THIS DOCUMENT SHOULD BE USED FOR REFERENCE PURPOSES ONLY & ARE SUBJECT TO CHANGE WITHOUT PRIOR NOTIFICATION. ALSO, THIS DOCUMENT IS CONSIDERED PROPRIETARY & THE SOLE PROPERTY OF CRYOMECH, INC. & SHOULD NOT BE REPRODUCED IN ANY MANNER WITHOUT PRIOR WRITTEN APPROVAL.



****SPECIAL NOTE: COLDHEAD MUST BE OPERATED COLD END DOWN****



CRYOMECH, INC
113 FALSO DRIVE SYRACUSE, N.Y. 13211
Tel: (315)455-2555 Fax:(315)455-2544

ALL DIMENSIONS ARE IN INCHES
TOLERANCES: FRACTIONS ±1/32 DECIMALS XXX=±.005 XX =±.01
ANGLES ±.5° ALLOVER FINISH 25 R_a
CONCENTRICITY .005 TOTAL INDICATOR RUN OUT
PERPENDICULAR ±.002 (UNLESS OTHERWISE SPECIFIED)

NAME: PT805 COLDHEAD OUTLINE			
DWG #: CH40805		SHT 1 OF 1	
MATERIAL: 103-22			
DWN BY: JRA	DATE: 17MAR04	SCALE: .175	DWG SIZE: A
1ST CHK: JC	DATE: 26MAR04	2ND CHK: BZ	DATE: 26MAR04
CUST: -		BTA: BTA-CH40805	

2673	-	B	UPDATED BTA:RESURRECT 4pc 1st STAGE HT EX	24OCT11
2252	-	A	UPDATED BTA:ADDED 1pc 1st STAGE HT EX	06OCT10
1100	-	-	INITIAL RELEASE	25MAY06
ECN	ZONE	REV	DESCRIPTION	DATE

THIS DRAWING SUPERSEDES CHPT805