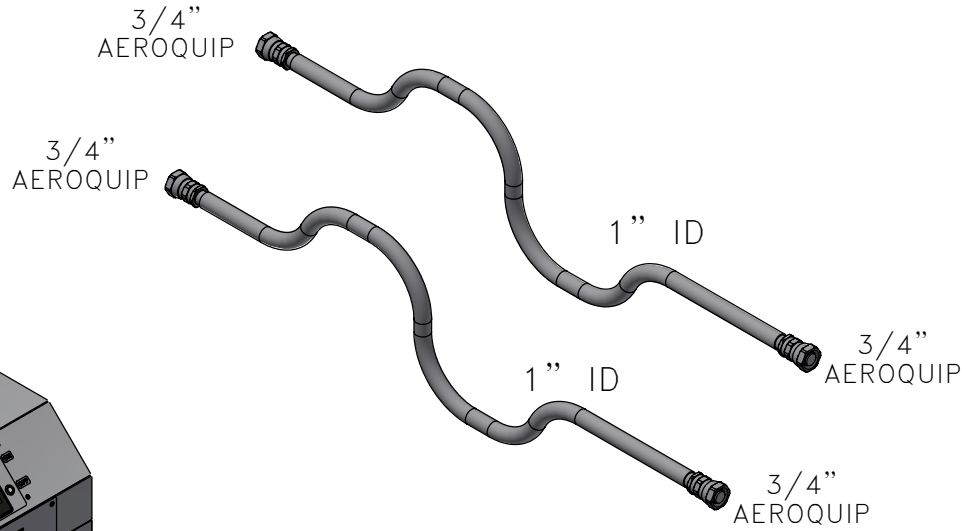


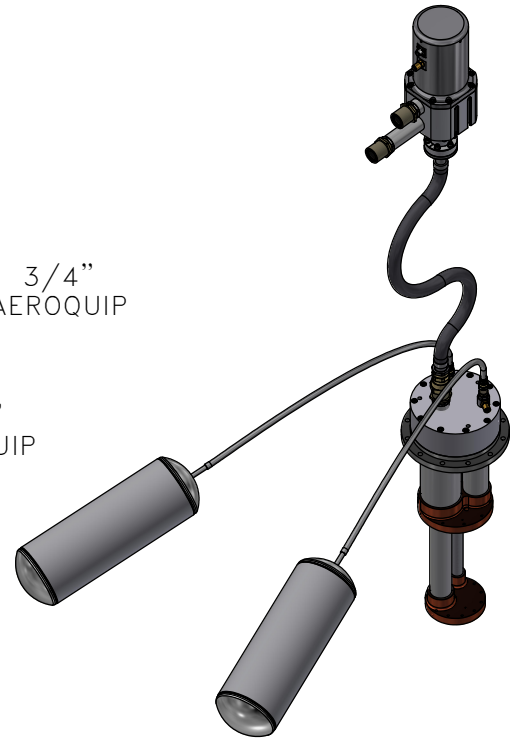
1
ALL INFORMATION CONTAINED IN THIS DOCUMENT SHOULD BE USED FOR REFERENCE PURPOSES ONLY & ARE SUBJECT TO CHANGE WITHOUT PRIOR NOTIFICATION. ALSO, THIS DOCUMENT IS CONSIDERED PROPRIETARY & THE SOLE PROPERTY OF BLUEFORS CRYOCOOLER TECHNOLOGIES INC. & SHOULD NOT BE REPRODUCED IN ANY MANNER WITHOUT PRIOR WRITTEN APPROVAL.

2
(2) LOW NOISE HELIUM FLEX LINES
STANDARD LENGTH: 66 ft
OTHER LENGTHS AVAILABLE

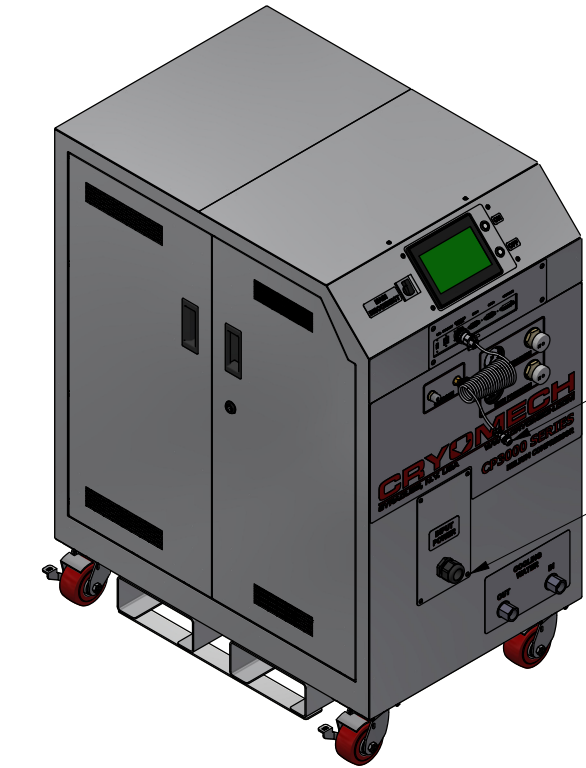


COLD HEAD MOTOR CORD
(SAME LENGTH AS FLEX LINES)

INPUT POWER PROVISION

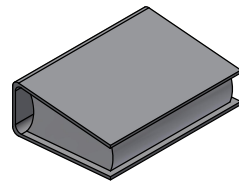


PT450-RM COLD HEAD

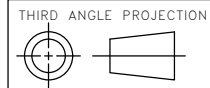
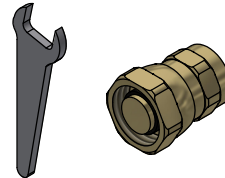


CPA3027W COMPRESSOR PACKAGE
(WATER COOLED)

MANUAL



TOOL KIT



CRYOMECH
BLUEFORS CRYOCOOLER TECHNOLOGIES INC.
SYRACUSE, NY U.S.A. WWW.CRYOMECH.COM

UNLESS OTHERWISE SPECIFIED: ALL DIMENSIONS ARE IN INCHES
ALTERNATE UNITS IN "[]" ARE FOR REFERENCE ONLY
TOLERANCES: X & X 1/2 = ±1/6, X.XXX = ±.005, X.XX = ±.01
CIRCULAR RUNOUT .005 TIR, ANGULARITY .005, ALLOVER FINISH 25 R_a

NAME: PT450-RM CPA3027 CRYOCOOLER			
DWG #: PT450-RM CPA3027W SYS		SHT 1 OF 1	
MATERIAL: AS STATED			
DWN BY: GJG	DATE: 16AUG23	SCALE: 1:4	DWG SIZE: A
1ST CHK: GH	DATE: 24AUG23	2ND CHK: MRR	DATE: 24AUG23
CUST: -		BTA: -	

6104	-	-	INITIAL RELEASE	16AUG23
ECN	ZONE	REV	DESCRIPTION	DATE