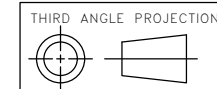
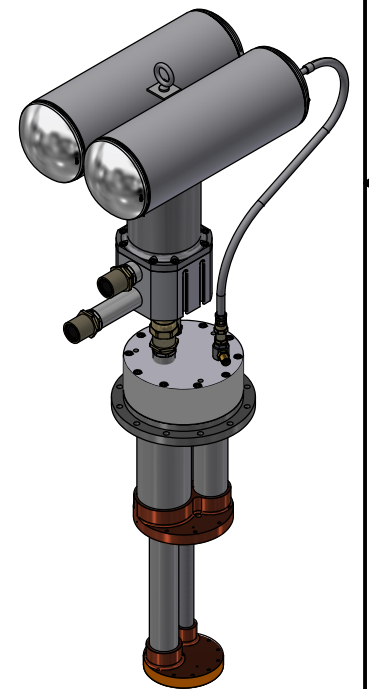
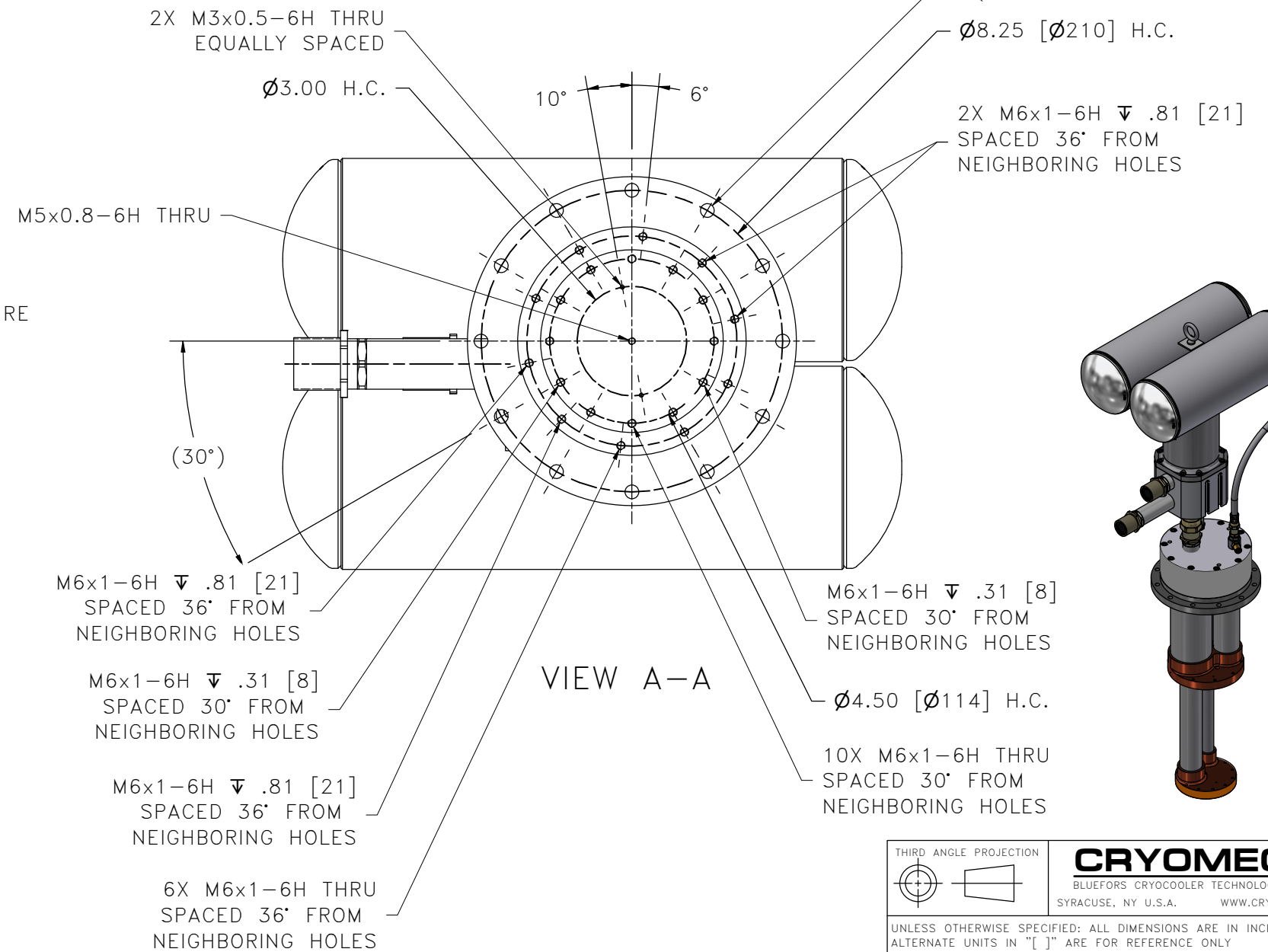
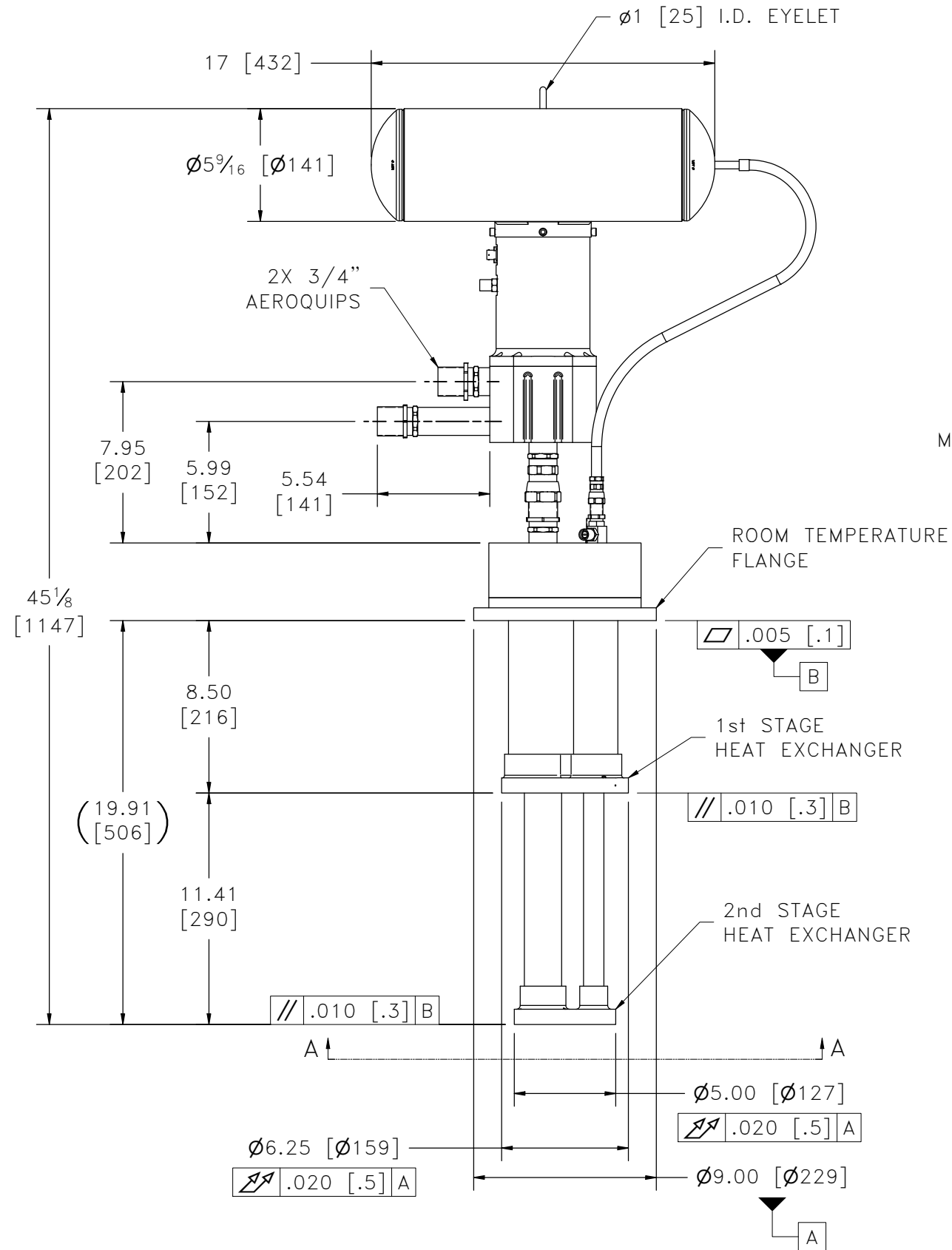


ALL INFORMATION CONTAINED IN THIS DOCUMENT SHOULD BE USED FOR REFERENCE PURPOSES ONLY & ARE SUBJECT TO CHANGE WITHOUT PRIOR NOTIFICATION. ALSO, THIS DOCUMENT IS CONSIDERED PROPRIETARY & THE SOLE PROPERTY OF BLUEFORS CRYOCOOLER TECHNOLOGIES INC. & SHOULD NOT BE REPRODUCED IN ANY MANNER WITHOUT PRIOR WRITTEN APPROVAL.



CRYOMECH
 BLUEFORS CRYOCOOLER TECHNOLOGIES INC.
 SYRACUSE, NY U.S.A. WWW.CRYOMECH.COM

UNLESS OTHERWISE SPECIFIED: ALL DIMENSIONS ARE IN INCHES
 ALTERNATE UNITS IN "[]" ARE FOR REFERENCE ONLY
 TOLERANCES: X & X $\frac{1}{2}$ = $\pm \frac{1}{16}$, X.XXX = $\pm .005$, X.XX = $\pm .01$
 CIRCULAR RUNOUT .005 TIR, ANGULARITY .005, ALLOVER FINISH 25 Ra

NAME: PT450 COLDHEAD, STANDARD			
DWG #: CH40450	SHT 1 OF 1		
MATERIAL: 103-813			
DWN BY: ADF	DATE: 23MAR23	SCALE: 1:7	DWG SIZE: B
1ST CHK: GH	DATE: 24AUG23	2ND CHK: MRR	DATE: 24AUG23
CUST: -	BTA: BTA-CH60450		

-	-	-
CH40450	-	-
USED ON	NEXT ASS'Y	QTY

5302	-	-	INITIAL RELEASE	22AUG23
ECN	ZONE	REV	DESCRIPTION	DATE