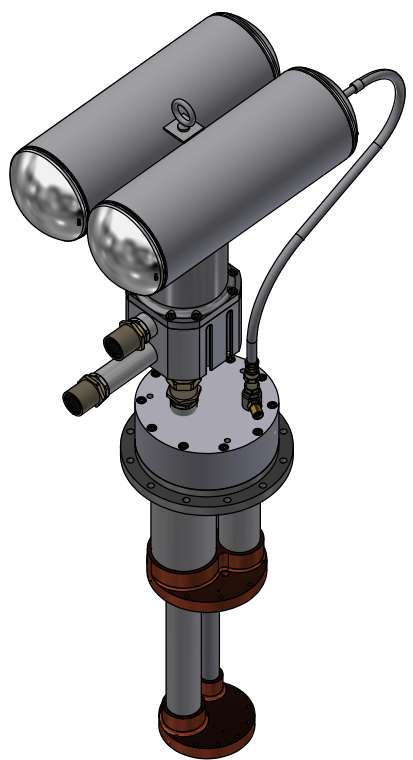
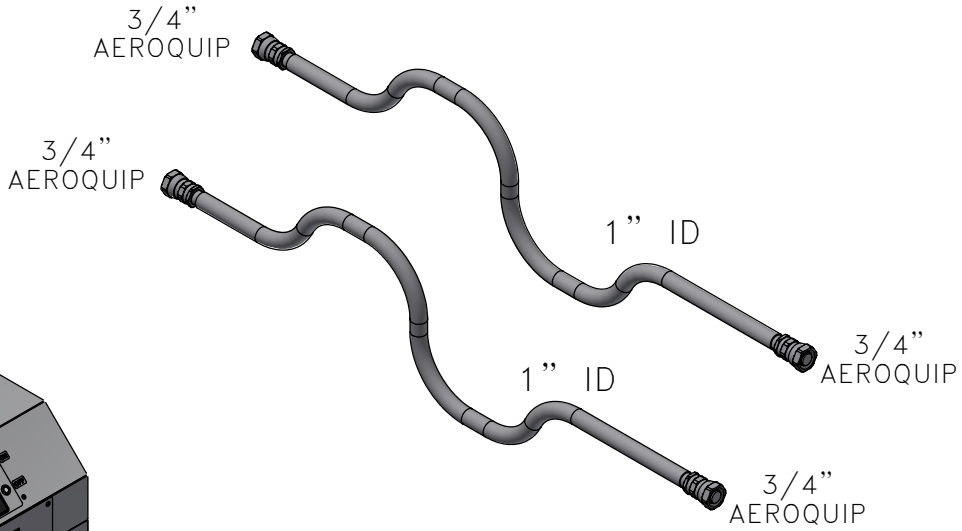


1
ALL INFORMATION CONTAINED IN THIS DOCUMENT SHOULD BE USED FOR REFERENCE PURPOSES ONLY & ARE SUBJECT TO CHANGE WITHOUT PRIOR NOTIFICATION. ALSO, THIS DOCUMENT IS CONSIDERED PROPRIETARY & THE SOLE PROPERTY OF BLUEFORS CRYOCOOLER TECHNOLOGIES INC. & SHOULD NOT BE REPRODUCED IN ANY MANNER WITHOUT PRIOR WRITTEN APPROVAL.

2
(2) LOW NOISE HELIUM FLEX LINES
STANDARD LENGTH: 66 ft
OTHER LENGTHS AVAILABLE



PT450 COLD HEAD

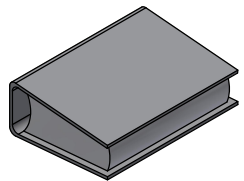


CPA3027W COMPRESSOR PACKAGE
(WATER COOLED)

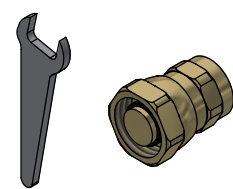
COLD HEAD MOTOR CORD
(SAME LENGTH AS FLEX LINES)

INPUT POWER PROVISION

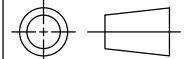
MANUAL



TOOL KIT



THIRD ANGLE PROJECTION



CRYOMECH

BLUEFORS CRYOCOOLER TECHNOLOGIES INC.
SYRACUSE, NY U.S.A. WWW.CRYOMECH.COM

UNLESS OTHERWISE SPECIFIED: ALL DIMENSIONS ARE IN INCHES
ALTERNATE UNITS IN "[]" ARE FOR REFERENCE ONLY
TOLERANCES: X & X 1/2 = ±1/6, X.XXX = ±.005, X.XX = ±.01
CIRCULAR RUNOUT .005 TIR, ANGULARITY .005, ALLOVER FINISH 25 R_a

NAME: PT450 CPA3027W CRYOCOOLER			
DWG #: PT450 CPA3027W SYS		SHT 1 OF 1	
MATERIAL: AS STATED			
DWN BY: GJG	DATE: 16AUG23	SCALE: 1:4	DWG SIZE: A
1ST CHK: GH	DATE: 24AUG23	2ND CHK: MRR	DATE: 24AUG23
CUST: -		BTA: -	

6104	-	-	INITIAL RELEASE	16AUG23
ECN	ZONE	REV	DESCRIPTION	DATE