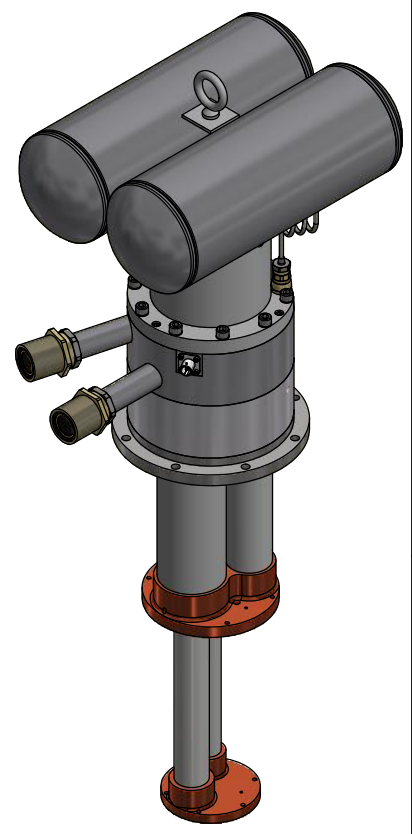
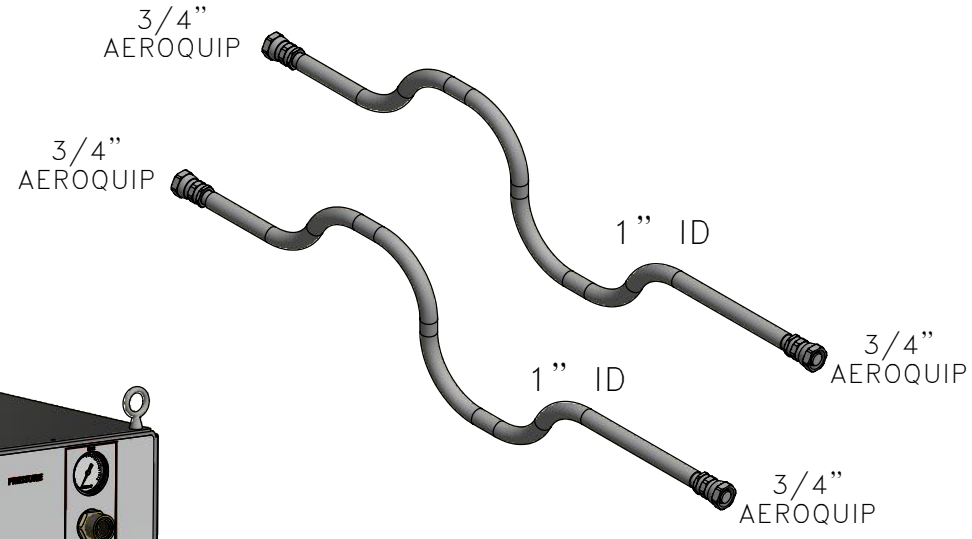


ALL INFORMATION CONTAINED IN THIS DOCUMENT SHOULD BE USED FOR REFERENCE PURPOSES ONLY & ARE SUBJECT TO CHANGE WITHOUT PRIOR NOTIFICATION. ALSO, THIS DOCUMENT IS CONSIDERED PROPRIETARY & THE SOLE PROPERTY OF CRYOMECH, INC. & SHOULD NOT BE REPRODUCED IN ANY MANNER WITHOUT PRIOR WRITTEN APPROVAL.

(2) LOW NOISE HELIUM FLEX LINES  
STANDARD LENGTH: 66 ft  
OTHER LENGTHS AVAILABLE



PT425 COLD HEAD

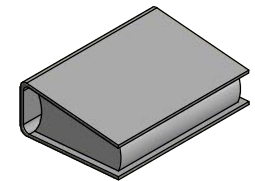


CPA1114 COMPRESSOR PACKAGE  
(WATER COOLED)

COLD HEAD  
MOTOR CORD  
(SAME LENGTH  
AS FLEX LINES)

POWER CORD

MANUAL



TOOL KIT



THIRD ANGLE PROJECTION		<b>CRYOMECH, INC.</b>
		SYRACUSE, NY U.S.A. WWW.CRYOMECH.COM

UNLESS OTHERWISE SPECIFIED: ALL DIMENSIONS ARE IN INCHES  
ALTERNATE UNITS IN "[ ]" ARE FOR REFERENCE ONLY  
TOLERANCES: X & X 1/2 = ±1/6, X.XXX = ±.005, X.XX = ±.01  
CIRCULAR RUNOUT .005 TIR, ANGULARITY .005, ALLOVER FINISH 25 Ra

NAME: PT425 CPA1114 CRYOCOOLER			
DWG #: PT425 CPA1114 SYSTEM		SHT 1 OF 1	
MATERIAL: AS STATED			
DWN BY: CJS	DATE: 17FEB21	SCALE: 1:4	DWG SIZE: A
1ST CHK: PB	DATE: 01MAR21	2ND CHK: XH	DATE: 01MAR21
CUST: -		BTA: -	

4683	-	-	INITIAL RELEASE	17FEB21
ECN	ZONE	REV	DESCRIPTION	DATE