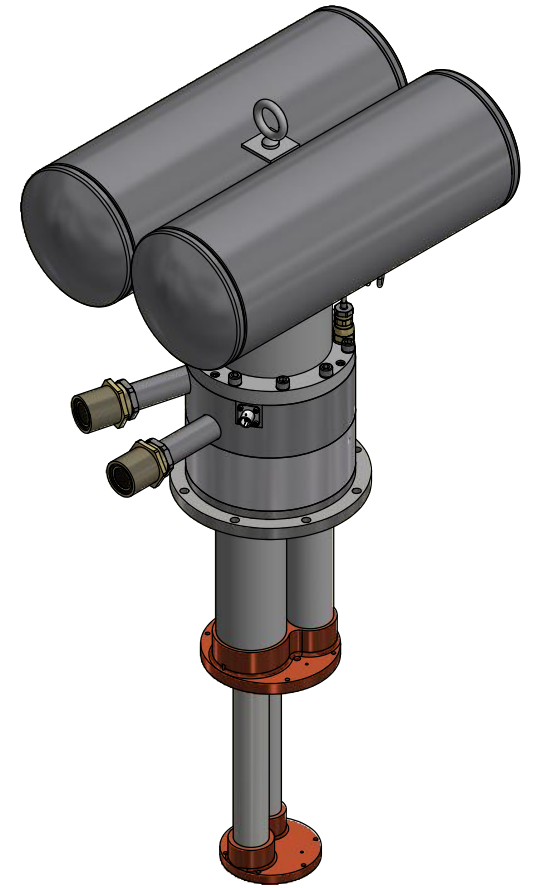
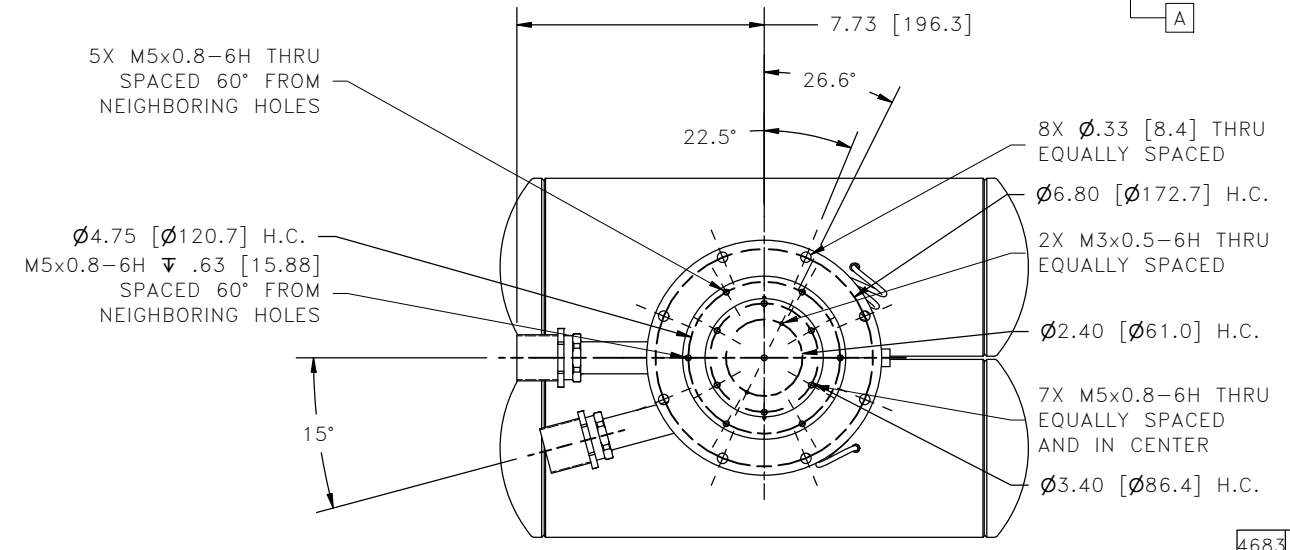
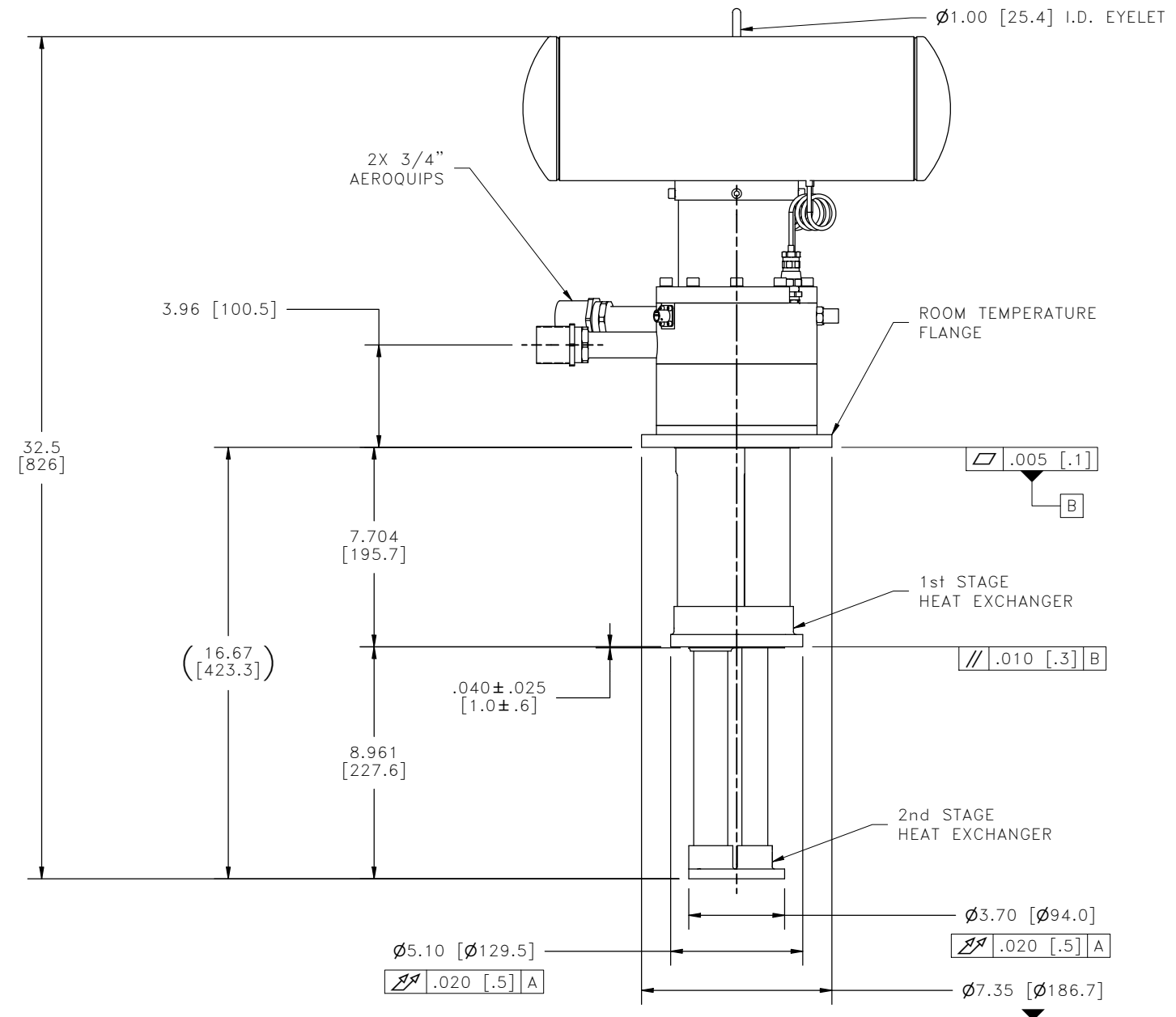


ALL INFORMATION CONTAINED IN THIS DOCUMENT SHOULD BE USED FOR REFERENCE PURPOSES ONLY & ARE SUBJECT TO CHANGE WITHOUT PRIOR NOTIFICATION. ALSO, THIS DOCUMENT IS CONSIDERED PROPRIETARY & THE SOLE PROPERTY OF CRYOMECH, INC. & SHOULD NOT BE REPRODUCED IN ANY MANNER WITHOUT PRIOR WRITTEN APPROVAL.



THIRD ANGLE PROJECTION  **CRYOMECH, INC.**
 SYRACUSE, NY U.S.A. WWW.CRYOMECH.COM

UNLESS OTHERWISE SPECIFIED: ALL DIMENSIONS ARE IN INCHES ALTERNATE UNITS IN "[]" ARE FOR REFERENCE ONLY
 TOLERANCES: X & X ¹/₂ = ±1/16, X.XXX = ±.005, X.XX = ±.01
 CIRCULAR RUNOUT .005 TIR, ANGULARITY .005, ALLOVER FINISH 25 Ra

NAME: CH40425 OUTLINE DRAWING			
DWG #: CH40425	SHT 1 OF 1		
MATERIAL: 103-694			
DWN BY: CJS	DATE: 15FEB21	SCALE: 1:6	DWG SIZE: B
1ST CHK: -	DATE: -	2ND CHK: -	DATE: -
CUST: -	BTA: BTA-CH40420		

4683	-	-	INITIAL RELEASE	15FEB21
ECN	ZONE	REV	DESCRIPTION	DATE