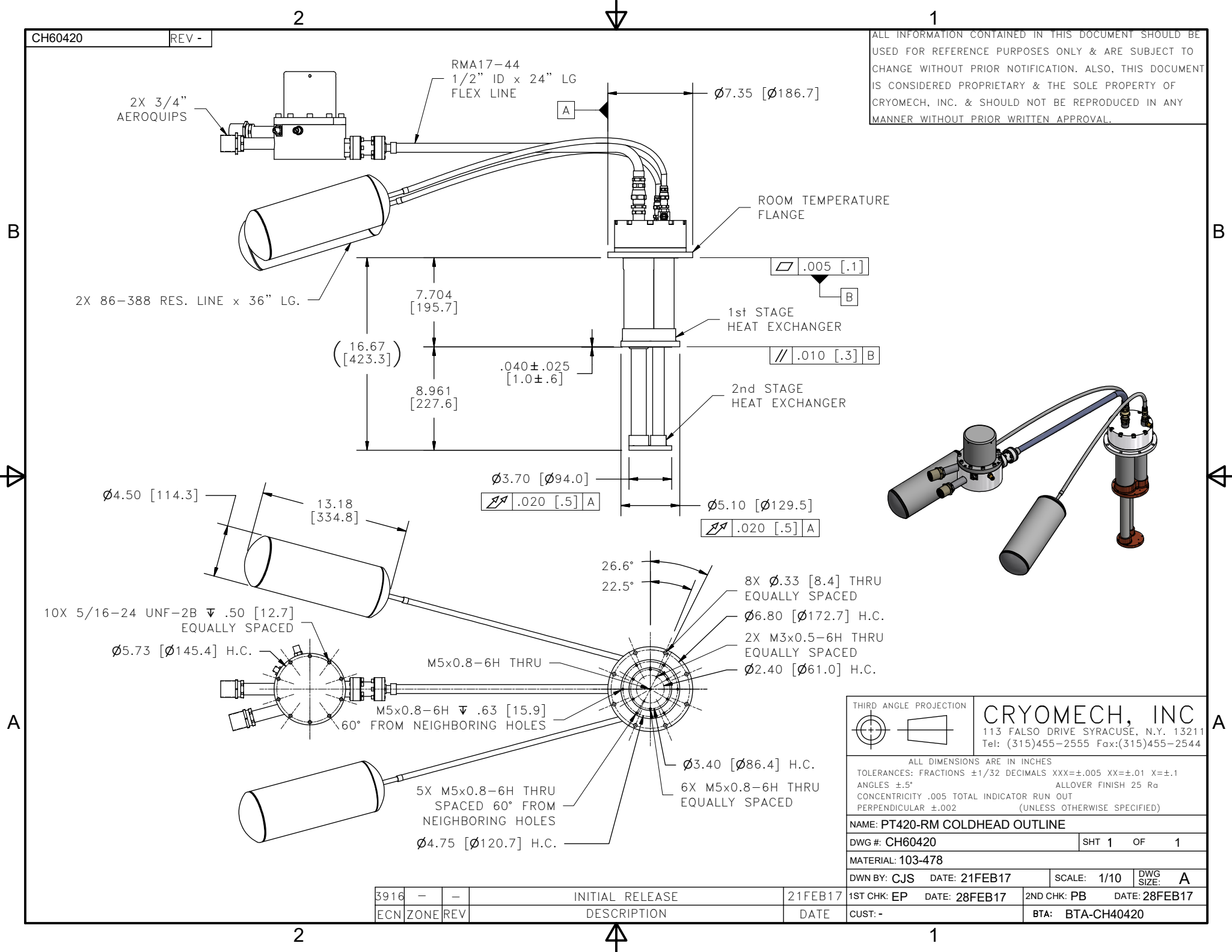


ALL INFORMATION CONTAINED IN THIS DOCUMENT SHOULD BE USED FOR REFERENCE PURPOSES ONLY & ARE SUBJECT TO CHANGE WITHOUT PRIOR NOTIFICATION. ALSO, THIS DOCUMENT IS CONSIDERED PROPRIETARY & THE SOLE PROPERTY OF CRYOMECH, INC. & SHOULD NOT BE REPRODUCED IN ANY MANNER WITHOUT PRIOR WRITTEN APPROVAL.



THIRD ANGLE PROJECTION			
CRYOMECH, INC 113 FALSO DRIVE SYRACUSE, N.Y. 13211 Tel: (315)455-2555 Fax:(315)455-2544			
ALL DIMENSIONS ARE IN INCHES TOLERANCES: FRACTIONS ±1/32 DECIMALS XXX=±.005 XX=±.01 X=±.1 ANGLES ±.5° ALLOVER FINISH 25 Ra CONCENTRICITY .005 TOTAL INDICATOR RUN OUT PERPENDICULAR ±.002 (UNLESS OTHERWISE SPECIFIED)			
NAME: PT420-RM COLDHEAD OUTLINE			
DWG #: CH60420		SHT 1 OF 1	
MATERIAL: 103-478			
DWN BY: CJS		DATE: 21FEB17	SCALE: 1/10
DWN BY: CJS	DATE: 21FEB17	SCALE: 1/10	DWG SIZE: A
1ST CHK: EP		DATE: 28FEB17	2ND CHK: PB
1ST CHK: EP		DATE: 28FEB17	DATE: 28FEB17
CUST: -		BTA: BTA-CH40420	

3916	-	-	INITIAL RELEASE	21FEB17	1ST CHK: EP	DATE: 28FEB17	2ND CHK: PB	DATE: 28FEB17
ECN	ZONE	REV	DESCRIPTION	DATE	CUST: -		BTA: BTA-CH40420	