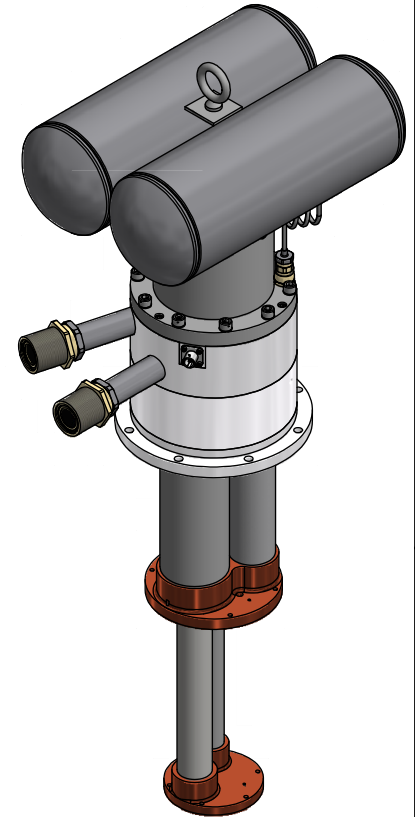
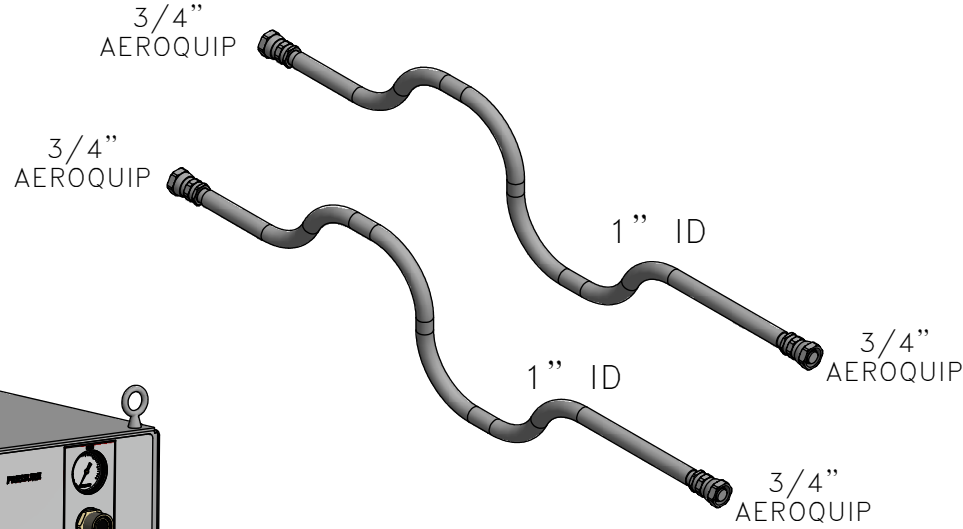
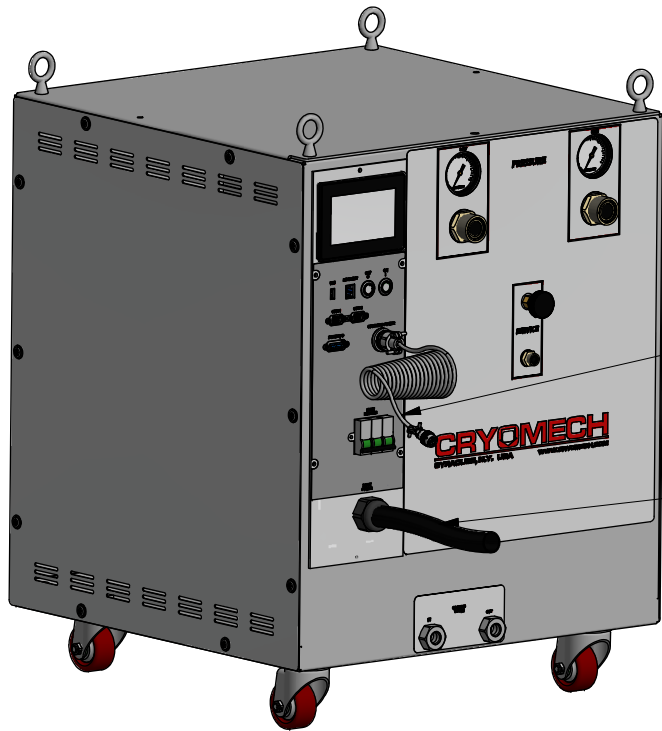


ALL INFORMATION CONTAINED IN THIS DOCUMENT SHOULD BE USED FOR REFERENCE PURPOSES ONLY & ARE SUBJECT TO CHANGE WITHOUT PRIOR NOTIFICATION. ALSO, THIS DOCUMENT IS CONSIDERED PROPRIETARY & THE SOLE PROPERTY OF CRYOMECH, INC. & SHOULD NOT BE REPRODUCED IN ANY MANNER WITHOUT PRIOR WRITTEN APPROVAL.

(2) LOW NOISE HELIUM FLEX LINES
STANDARD LENGTH: 66 ft
OTHER LENGTHS AVAILABLE



PT420 COLD HEAD

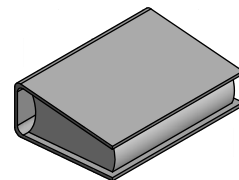


CPA1114 COMPRESSOR PACKAGE
(WATER COOLED)

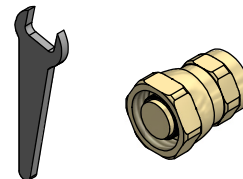
COLD HEAD
MOTOR CORD
(SAME LENGTH
AS FLEX LINES)

POWER CORD

MANUAL



TOOL KIT



THIRD ANGLE PROJECTION		CRYOMECH, INC 113 FALSO DRIVE SYRACUSE, N.Y. 13211 Tel: (315)455-2555 Fax:(315)455-2544

ALL DIMENSIONS ARE IN INCHES
 TOLERANCES: FRACTIONS ±1/32 DECIMALS XXX=±.005 XX=±.01 X=±.1
 ANGLES ±.5° ALLOVER FINISH 25 Ra
 CONCENTRICITY .005 TOTAL INDICATOR RUN OUT
 PERPENDICULAR ±.002 (UNLESS OTHERWISE SPECIFIED)

NAME: PT420 CPA1114 CRYOREFRIGERATOR			
DWG #: PT420 CPA1114 SYSTEM		SHT 1 OF 1	
MATERIAL: AS STATED			
DWN BY: CJS	DATE: 29MAR17	SCALE: TO FIT	DWG SIZE: A
1ST CHK: NLO	DATE: 29MAR17	2ND CHK: PB	DATE: 29MAR17
CUST: -		BTA: -	

3946	-	-	INITIAL RELEASE	29MAR17
ECN	ZONE	REV	DESCRIPTION	DATE