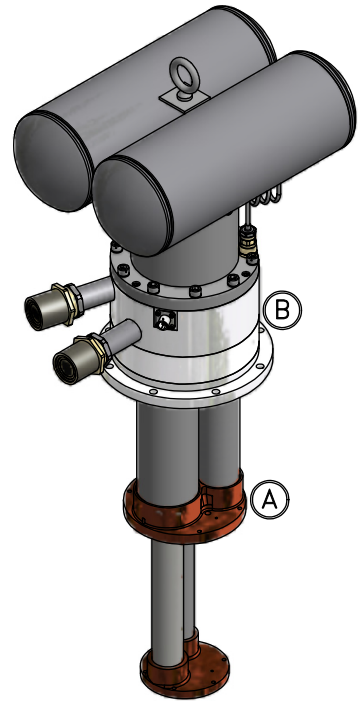
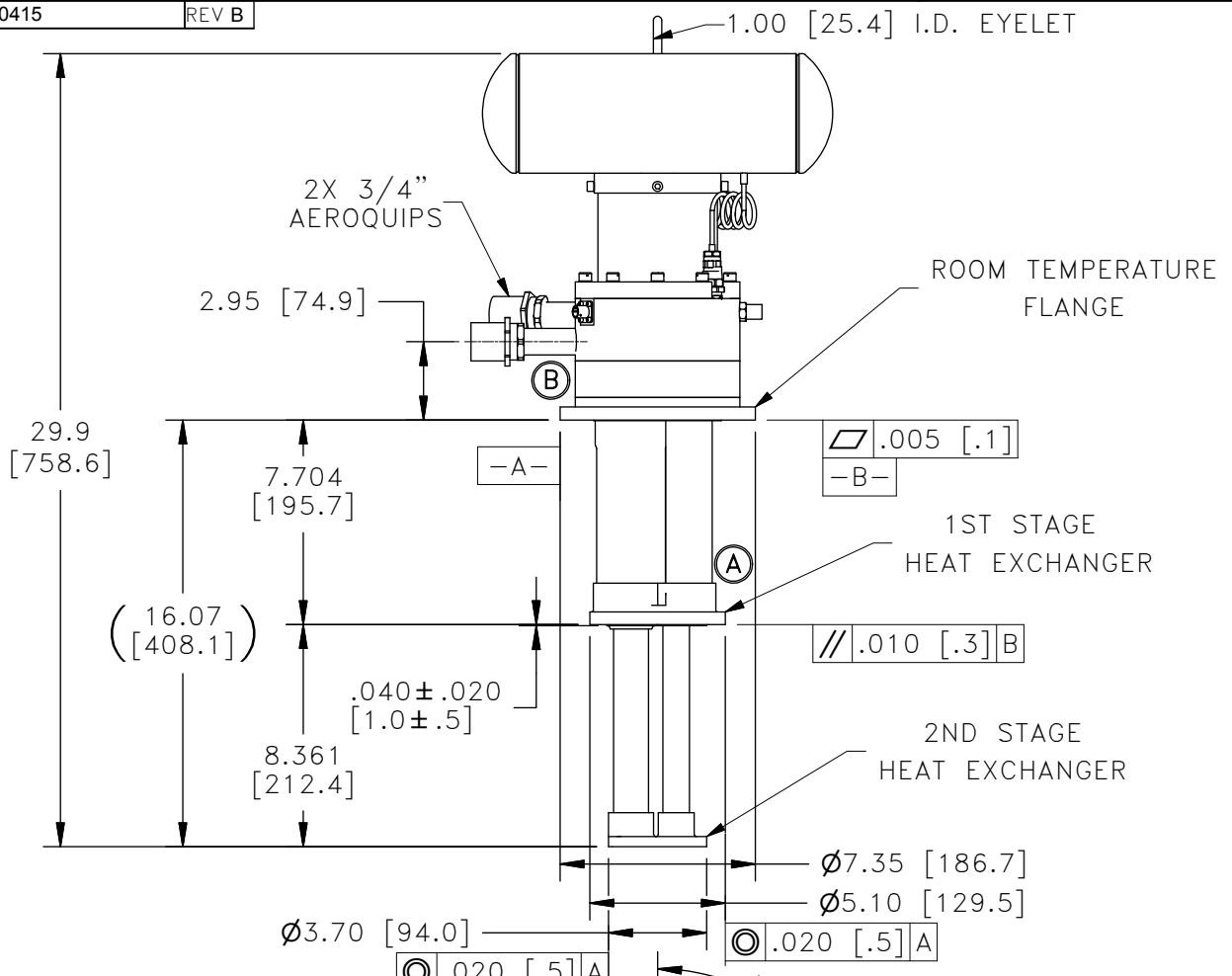


1
ALL INFORMATION CONTAINED IN THIS DOCUMENT SHOULD BE USED FOR REFERENCE PURPOSES ONLY & ARE SUBJECT TO CHANGE WITHOUT PRIOR NOTIFICATION. ALSO, THIS DOCUMENT IS CONSIDERED PROPRIETARY & THE SOLE PROPERTY OF CRYOMECH, INC. & SHOULD NOT BE REPRODUCED IN ANY MANNER WITHOUT PRIOR WRITTEN APPROVAL.

B

B



** SPECIAL NOTE: COLD HEAD MUST BE OPERATED COLD END DOWN **

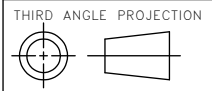
(A) 5X M5x0.8 - 6H THRU SPACED 60° FROM NEIGHBORING HOLES Ø4.75 [120.7] H.C.

22.5° 26.6° Ø.33 THRU EQUALLY SPACED Ø6.80 [172.7] H.C.

2X M3x0.5 - 6H THRU EQUALLY SPACED Ø2.40 [61.0] H.C.

6X M5x0.8 - 6H THRU EQUALLY SPACED Ø3.40 [86.4] H.C.

M5x0.8 - 6H THRU (A) M5x0.8 - 6H ▽ .625 SPACED 60° FROM NEIGHBORING HOLES



CRYOMECH, INC
113 FALSO DRIVE SYRACUSE, N.Y. 13211
Tel: (315)455-2555 Fax:(315)455-2544

ALL DIMENSIONS ARE IN INCHES
TOLERANCES: FRACTIONS ±1/32 DECIMALS XXX=±.005 XX=±.01 X=±.1
ANGLES ±.5° ALLOVER FINISH 25 Ra
CONCENTRICITY .005 TOTAL INDICATOR RUN OUT
PERPENDICULAR ±.002 (UNLESS OTHERWISE SPECIFIED)

NAME: CH40415 OUTLINE
DWG #: CH40415 SHT 1 OF 1
MATERIAL: 103-28

3563	-	B	COMPONENT UPDATE	29MAY15	DWN BY: MW	DATE: 11AUG06	SCALE: .14	DWG SIZE: A
2125	-	A	UPDATED BTA CONFIGURATION	30MAR10	1ST CHK: AO	DATE: 21SEP06	2ND CHK: CW	DATE: 21SEP06
ECN	ZONE	REV	DESCRIPTION	DATE	CUST: -		BTA: BTA-CH40415	

2



1

A

A