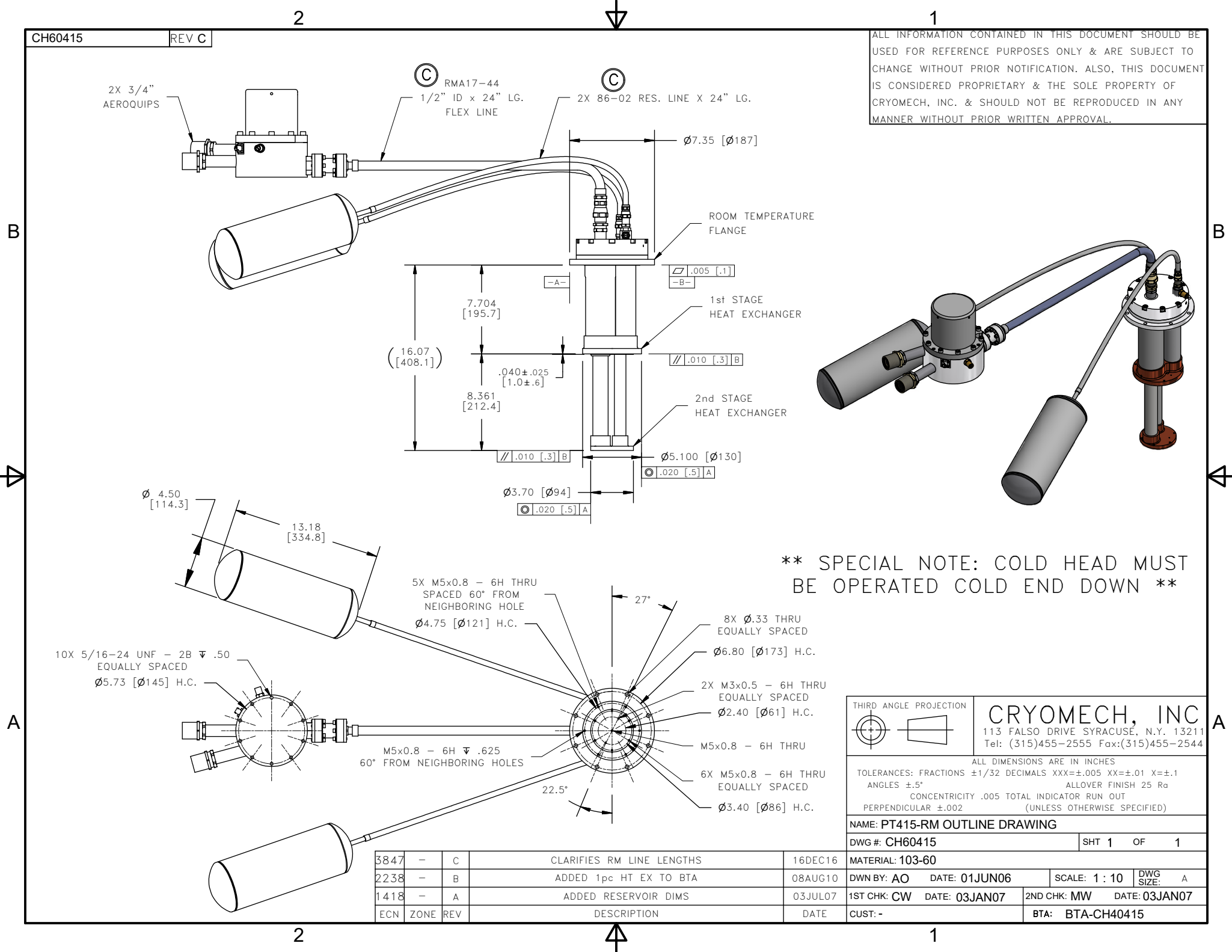


ALL INFORMATION CONTAINED IN THIS DOCUMENT SHOULD BE USED FOR REFERENCE PURPOSES ONLY & ARE SUBJECT TO CHANGE WITHOUT PRIOR NOTIFICATION. ALSO, THIS DOCUMENT IS CONSIDERED PROPRIETARY & THE SOLE PROPERTY OF CRYOMECH, INC. & SHOULD NOT BE REPRODUCED IN ANY MANNER WITHOUT PRIOR WRITTEN APPROVAL.



**** SPECIAL NOTE: COLD HEAD MUST BE OPERATED COLD END DOWN ****

THIRD ANGLE PROJECTION			
CRYOMECH, INC 113 FALSO DRIVE SYRACUSE, N.Y. 13211 Tel: (315)455-2555 Fax:(315)455-2544			
ALL DIMENSIONS ARE IN INCHES TOLERANCES: FRACTIONS ±1/32 DECIMALS XXX=±.005 XX=±.01 X=±.1 ANGLES ±.5° ALLOVER FINISH 25 Ra CONCENTRICITY .005 TOTAL INDICATOR RUN OUT PERPENDICULAR ±.002 (UNLESS OTHERWISE SPECIFIED)			
NAME: PT415-RM OUTLINE DRAWING			
DWG #: CH60415		SHT 1 OF 1	
MATERIAL: 103-60			
DWN BY: AO		DATE: 01JUN06	SCALE: 1 : 10
1ST CHK: CW		DATE: 03JAN07	2ND CHK: MW
DATE: 03JAN07		DATE: 03JAN07	
CUST: -		BTA: BTA-CH40415	

ECN	ZONE	REV	DESCRIPTION	DATE
3847	-	C	CLARIFIES RM LINE LENGTHS	16DEC16
2238	-	B	ADDED 1pc HT EX TO BTA	08AUG10
1418	-	A	ADDED RESERVOIR DIMS	03JUL07