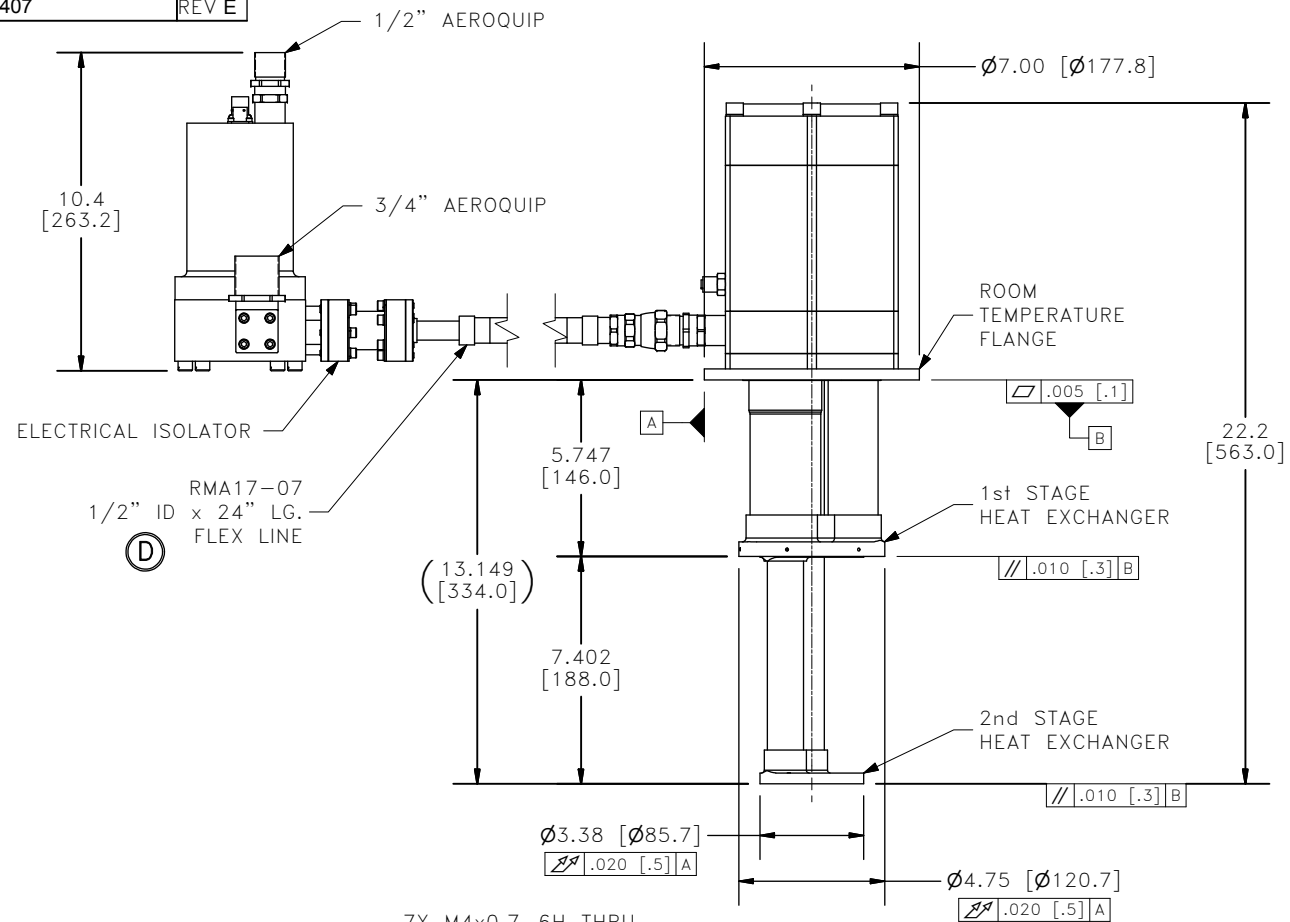


CH60407 REV E

1  
ALL INFORMATION CONTAINED IN THIS DOCUMENT SHOULD BE USED FOR REFERENCE PURPOSES ONLY & ARE SUBJECT TO CHANGE WITHOUT PRIOR NOTIFICATION. ALSO, THIS DOCUMENT IS CONSIDERED PROPRIETARY & THE SOLE PROPERTY OF CRYOMECH, INC. & SHOULD NOT BE REPRODUCED IN ANY MANNER WITHOUT PRIOR WRITTEN APPROVAL.

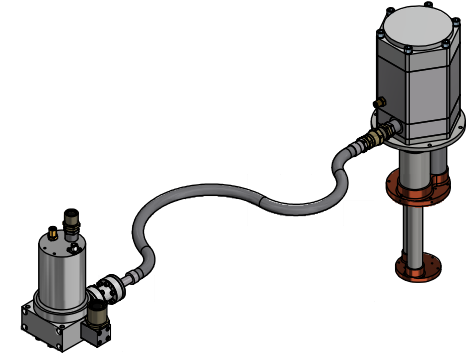
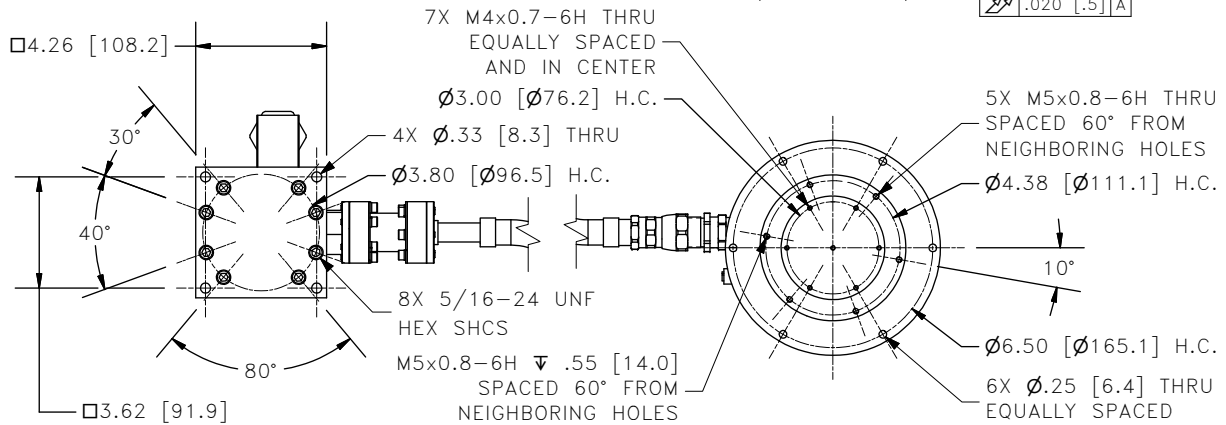
B

B



A

A



**\*\*SPECIAL NOTE: COLDHEAD MUST BE OPERATED COLD END DOWN.\*\***

THIRD ANGLE PROJECTION

**CRYOMECH, INC**  
113 FALSO DRIVE SYRACUSE, N.Y. 13211  
Tel: (315)455-2555 Fax:(315)455-2544

ALL DIMENSIONS ARE IN INCHES  
TOLERANCES: FRACTIONS  $\pm 1/32$  DECIMALS  $XXX = \pm .005$   $XX = \pm .01$   $X = \pm .1$   
ANGLES  $\pm .5^\circ$  ALLOVER FINISH 25 Ra  
CONCENTRICITY .005 TOTAL INDICATOR RUN OUT  
PERPENDICULAR  $\pm .002$  (UNLESS OTHERWISE SPECIFIED)

NAME: PT407-RM OUTLINE DRAWING  
DWG #: CH60407 SHT 1 OF 1  
MATERIAL: 103-59  
DWN BY: MW DATE: 18DEC06 SCALE: .16X DWG SIZE: A  
1ST CHK: BZ DATE: 18JAN07 2ND CHK: AO DATE: 18JAN07  
CUST: - BTA: BTA-CH40405/407

ECN	ZONE	REV	DESCRIPTION	DATE
4067	-	E	REDESIGNED WITH 1-pc 1st STAGE HX	30OCT17
3847	-	D	CLARIFIES RM LINE LENGTHS	30NOV16
2673	-	C	RESURRECT 4pc. HEAT EXCHANGER	29AUG11

2

1