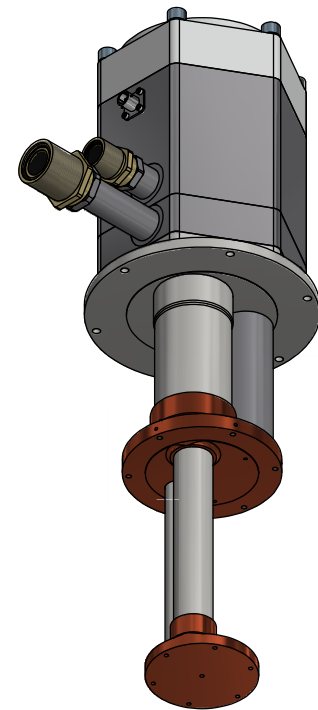
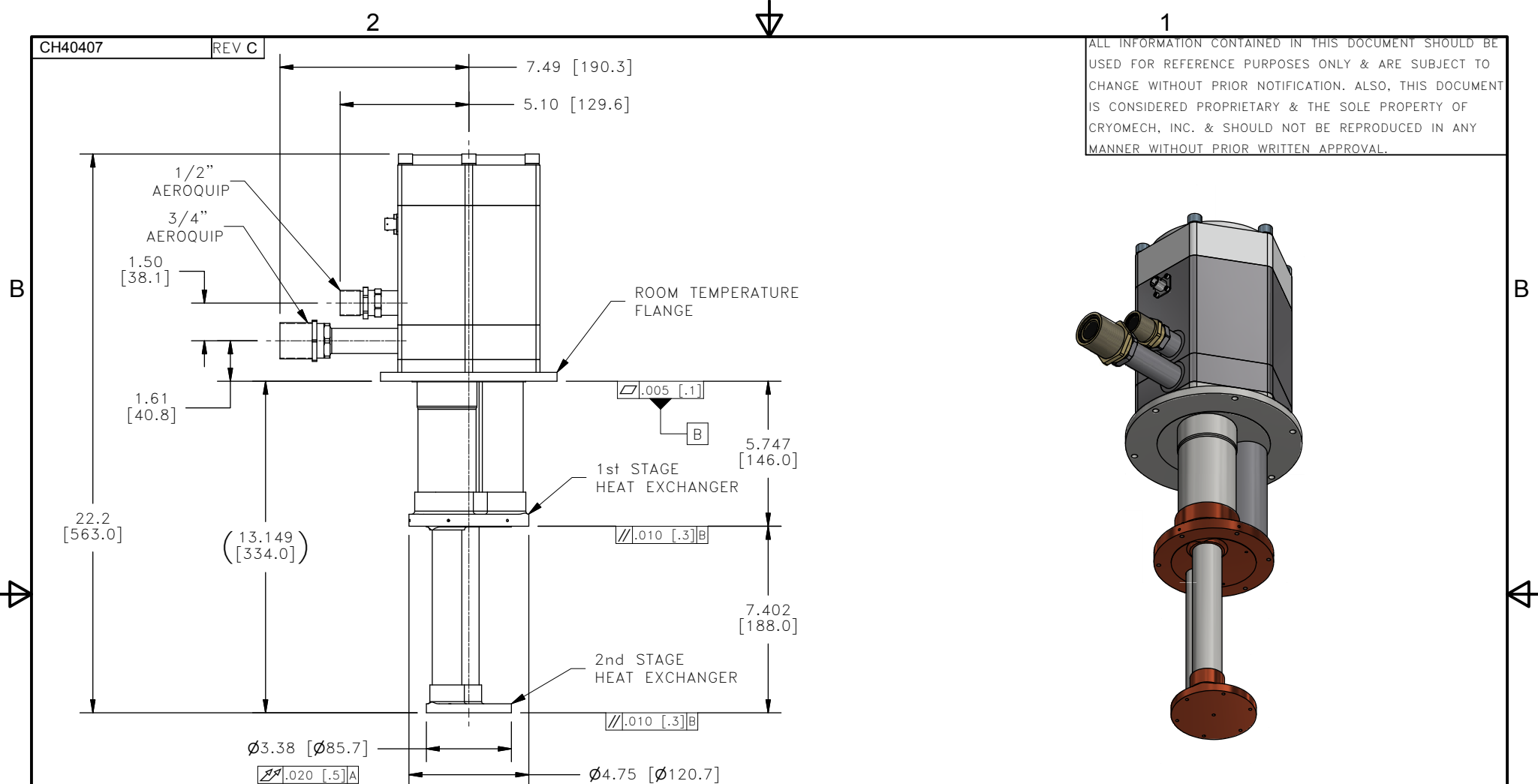


CH40407 REV C

ALL INFORMATION CONTAINED IN THIS DOCUMENT SHOULD BE USED FOR REFERENCE PURPOSES ONLY & ARE SUBJECT TO CHANGE WITHOUT PRIOR NOTIFICATION. ALSO, THIS DOCUMENT IS CONSIDERED PROPRIETARY & THE SOLE PROPERTY OF CRYOMECH, INC. & SHOULD NOT BE REPRODUCED IN ANY MANNER WITHOUT PRIOR WRITTEN APPROVAL.



**\*\*SPECIAL NOTE: COLDHEAD MUST BE OPERATED COLD END DOWN\*\***

THIRD ANGLE PROJECTION		CRYOMECH, INC	
		113 FALSO DRIVE SYRACUSE, N.Y. 13211 Tel: (315)455-2555 Fax:(315)455-2544	
ALL DIMENSIONS ARE IN INCHES TOLERANCES: FRACTIONS ±1/32 DECIMALS XXX=±.005 XX=±.01 X=±.1 ANGLES ±.5° ALLOVER FINISH 25 Ra CONCENTRICITY .005 TOTAL INDICATOR RUN OUT PERPENDICULAR ±.002 (UNLESS OTHERWISE SPECIFIED)			
NAME: CH40407 OUTLINE DRAWING			
DWG #: CH40407		SHT 1 OF 1	
MATERIAL: 103-20			
DWN BY: JRA	DATE: 19MAR04	SCALE:	DWG SIZE: A
1ST CHK: CW	DATE: 14OCT04	2ND CHK: JPC	DATE: 14OCT04
CUST: -		BTA: BTA-PT405/PT407	

ECN	ZONE	REV	DESCRIPTION	DATE
4067	-	C	REDESIGNED WITH 1-pc 1st STAGE HX	30OCT17
2673	-	B	UPDATED BTA:RESURRECT 4pc 1st STAGE HX	29AUG11
2216	-	A	UPDATED BTA:ADDED 1pc 1st STAGE HT EX	08OCT10

THIS DRAWING SUPERSEDES CHPT407