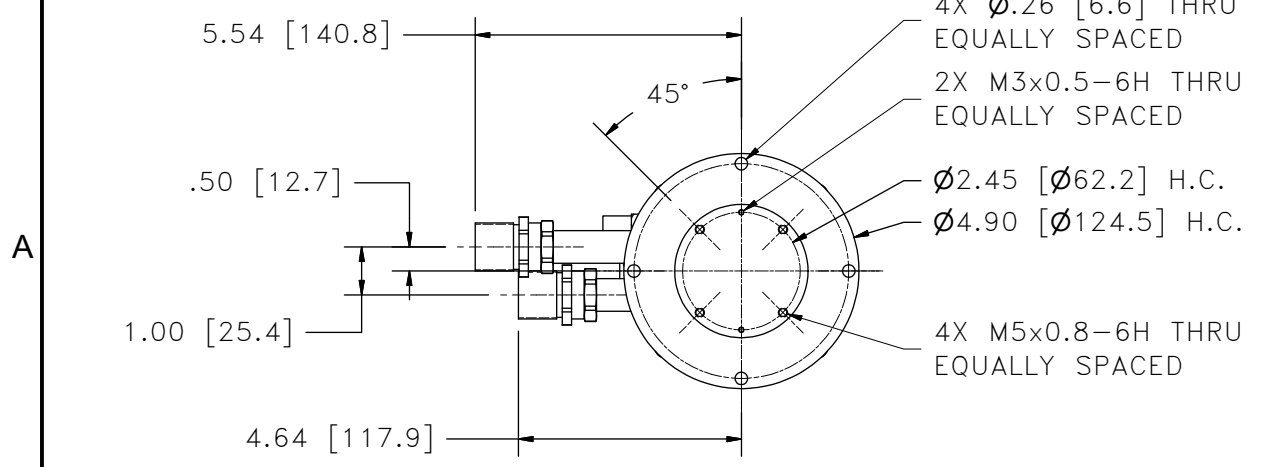
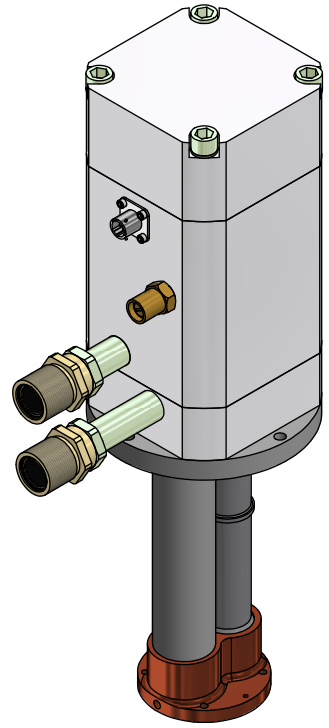
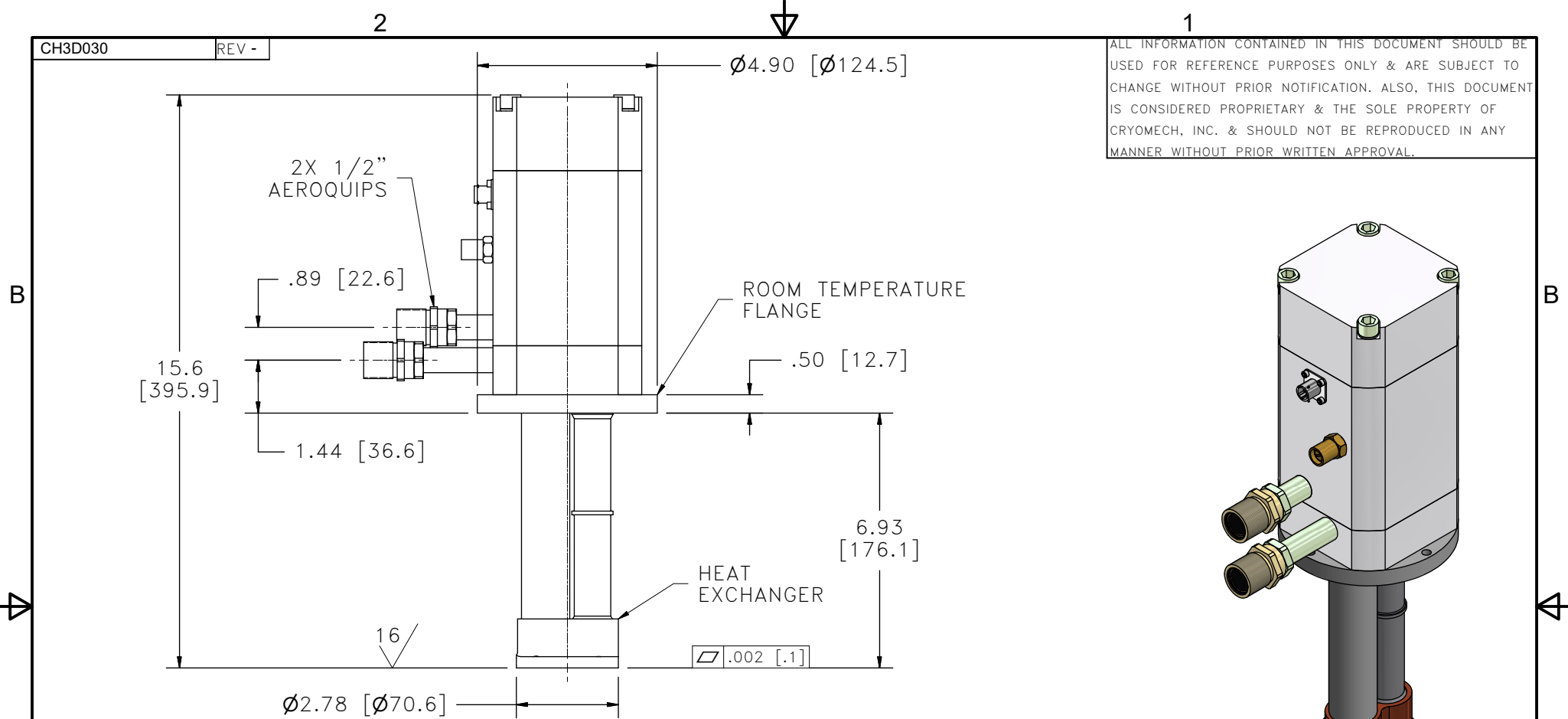


CH3D030 REV -

ALL INFORMATION CONTAINED IN THIS DOCUMENT SHOULD BE USED FOR REFERENCE PURPOSES ONLY & ARE SUBJECT TO CHANGE WITHOUT PRIOR NOTIFICATION. ALSO, THIS DOCUMENT IS CONSIDERED PROPRIETARY & THE SOLE PROPERTY OF CRYOMECH, INC. & SHOULD NOT BE REPRODUCED IN ANY MANNER WITHOUT PRIOR WRITTEN APPROVAL.



**\*\*SPECIAL NOTE: COLDHEAD MUST BE OPERATED COLD END DOWN\*\***

THIRD ANGLE PROJECTION		<b>CRYOMECH, INC</b>	
		113 FALSO DRIVE SYRACUSE, N.Y. 13211 Tel: (315)455-2555 Fax:(315)455-2544	
ALL DIMENSIONS ARE IN INCHES			
TOLERANCES: FRACTIONS ±1/32 DECIMALS XXX=±.005 XX=±.01 X=±.1			
ANGLES ±.5° ALLOVER FINISH 25 Ra			
CONCENTRICITY .005 TOTAL INDICATOR RUN OUT			
PERPENDICULAR ±.002 (UNLESS OTHERWISE SPECIFIED)			
NAME: CH3D030 OUTLINE DRAWING			
DWG #: CH3D030		SHT 1 OF 1	
MATERIAL: 103-529			
DWN BY: CJS		DATE: 04DEC17	SCALE: 1/4
DWN SIZE: A	1ST CHK: EP	DATE: 10JAN18	2ND CHK: PB
DATE: 10JAN18	DATE: 10JAN18	CUST: -	
BTA: BTA-CH30030			

THIS DRAWING SUPERSEDES CH3C030

4122	-	-	INITIAL RELEASE	04DEC17
ECN	ZONE	REV	DESCRIPTION	DATE