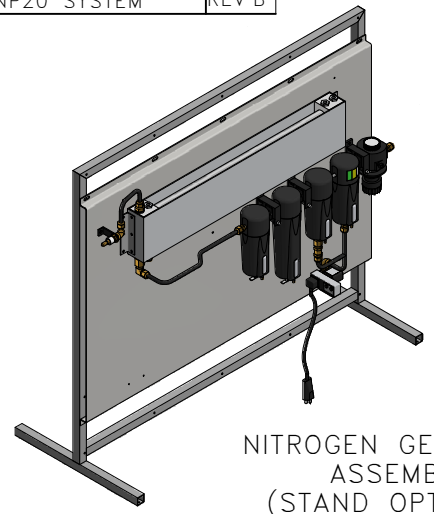


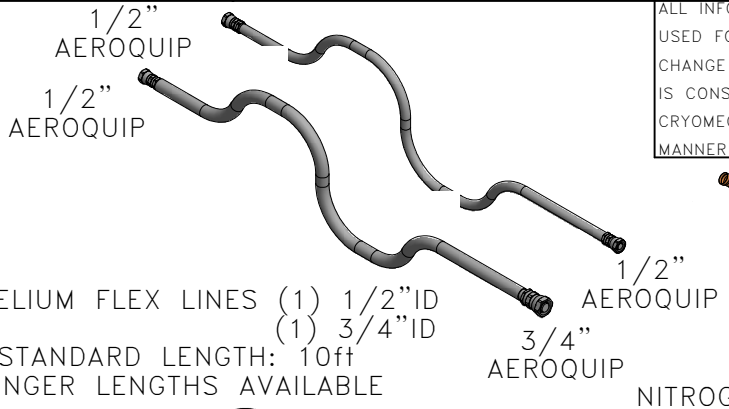
2

1

ALL INFORMATION CONTAINED IN THIS DOCUMENT SHOULD BE USED FOR REFERENCE PURPOSES ONLY & ARE SUBJECT TO CHANGE WITHOUT PRIOR NOTIFICATION. ALSO, THIS DOCUMENT IS CONSIDERED PROPRIETARY & THE SOLE PROPERTY OF CRYOMECH, INC. & SHOULD NOT BE REPRODUCED IN ANY MANNER WITHOUT PRIOR WRITTEN APPROVAL.



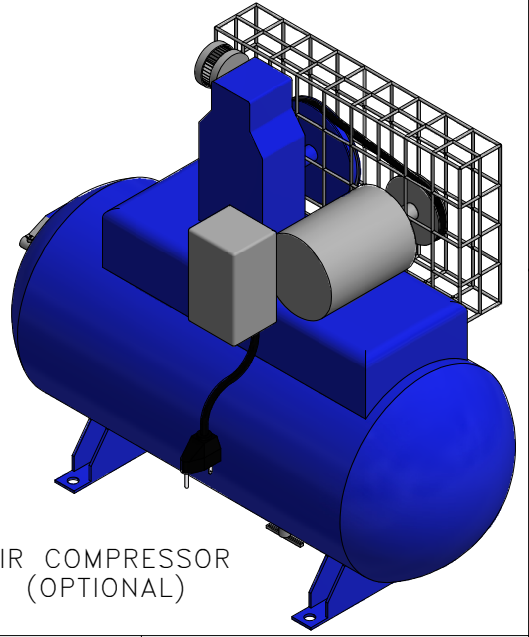
NITROGEN GENERATOR ASSEMBLY (STAND OPTIONAL)



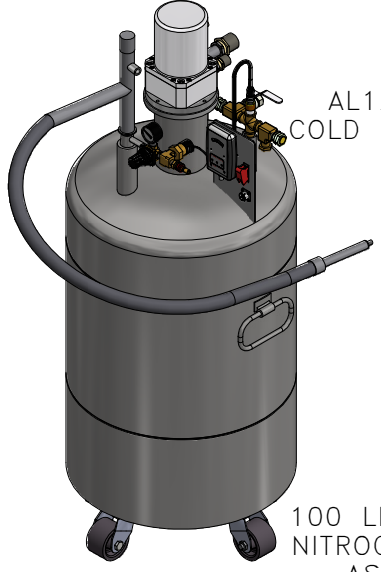
(2) HELIUM FLEX LINES (1) 1/2" ID (1) 3/4" ID
STANDARD LENGTH: 10ft
LONGER LENGTHS AVAILABLE

1/2" AEROQUIP
3/4" AEROQUIP

NITROGEN FLEX LINE 1/4" ID
STANDARD LENGTH: 10ft
LONGER LENGTHS AVAILABLE

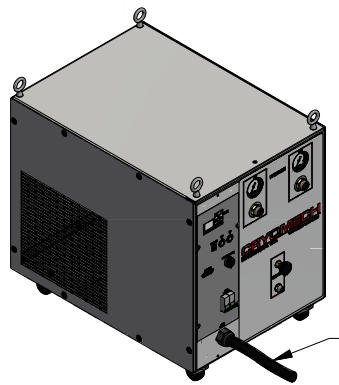


AIR COMPRESSOR (OPTIONAL)

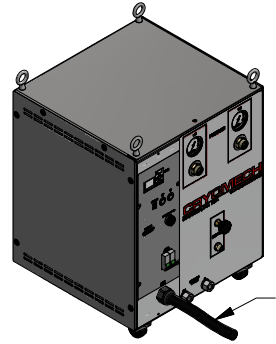


AL125 COLD HEAD
100 LITER LIQUID NITROGEN DEWAR ASSEMBLY

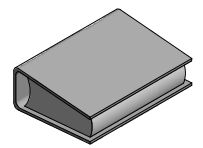
COLDHEAD MOTOR CORD (SAME LENGTH AS FLEX LINES)



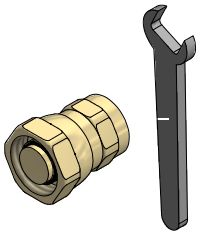
POWER CORD
CP103 COMPRESSOR PACKAGE (AIR COOLED)



POWER CORD
CP103 COMPRESSOR PACKAGE (WATER COOLED)



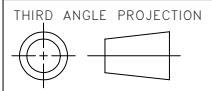
MANUAL



TOOL KIT



1 YEAR SPARE PARTS



THIRD ANGLE PROJECTION

CRYOMECH, INC
113 FALSO DRIVE SYRACUSE, N.Y. 13211
Tel: (315)455-2555 Fax:(315)455-2544

ALL DIMENSIONS ARE IN INCHES
TOLERANCES: FRACTIONS ±1/32 DECIMALS XXX=±.005 XX=±.01 X=±.1
ANGLES ±.5° ALLOVER FINISH 25 Ra
CONCENTRICITY .005 TOTAL INDICATOR RUN OUT
PERPENDICULAR ±.002 (UNLESS OTHERWISE SPECIFIED)

NAME: LNP20 LIQUID NITROGEN PLANT

DWG #: LNP20 SYSTEMM SHT 1 OF 1

MATERIAL: AS STATED

DWN BY: BL DATE: 29MAR16 SCALE: TO FIT DWG SIZE: A

1ST CHK: RED DATE: 26AUG04 2ND CHK: NLO DATE: 26AUG04

CUST: BTA:

ECN	ZONE	REV	DESCRIPTION	DATE
3940	-	B	CP100 COMPRESSORS REPLACE CP800's	16MAR17
1419	-	A	SEE ECN 1419	03JUL07
613	-	-	INITIAL RELEASE	18AUG04

2

1