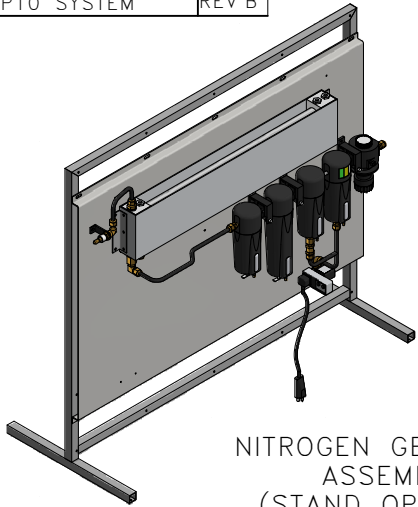
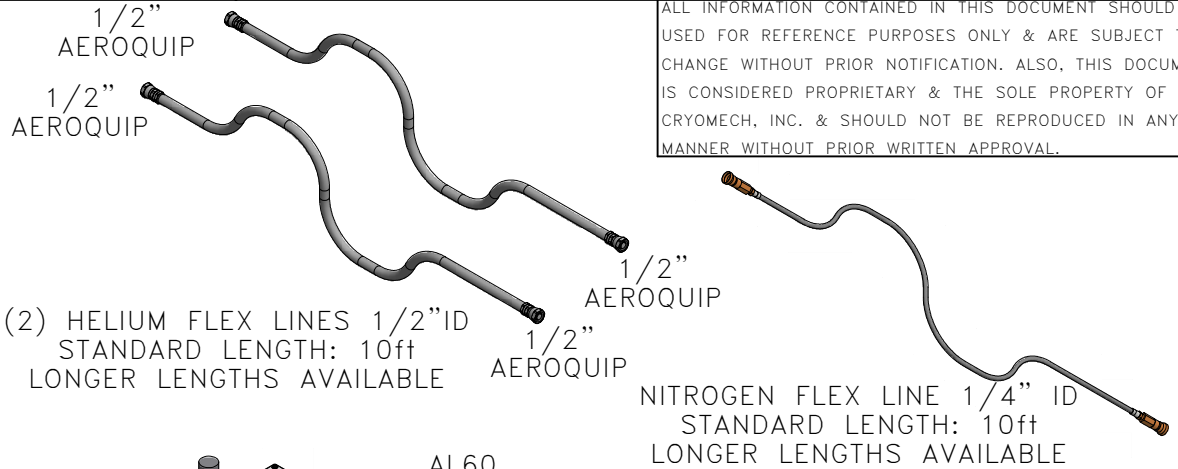


ALL INFORMATION CONTAINED IN THIS DOCUMENT SHOULD BE USED FOR REFERENCE PURPOSES ONLY & ARE SUBJECT TO CHANGE WITHOUT PRIOR NOTIFICATION. ALSO, THIS DOCUMENT IS CONSIDERED PROPRIETARY & THE SOLE PROPERTY OF CRYOMECH, INC. & SHOULD NOT BE REPRODUCED IN ANY MANNER WITHOUT PRIOR WRITTEN APPROVAL.



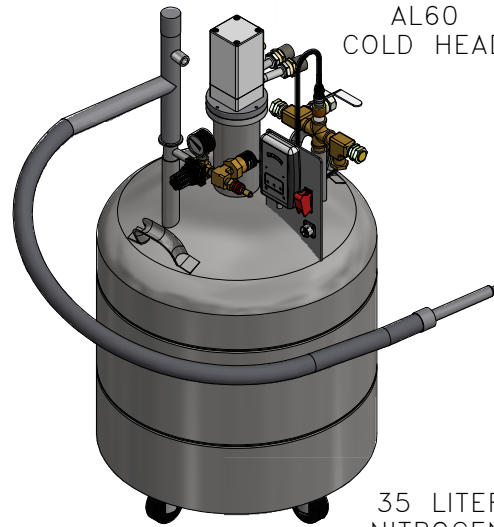
NITROGEN GENERATOR ASSEMBLY (STAND OPTIONAL)



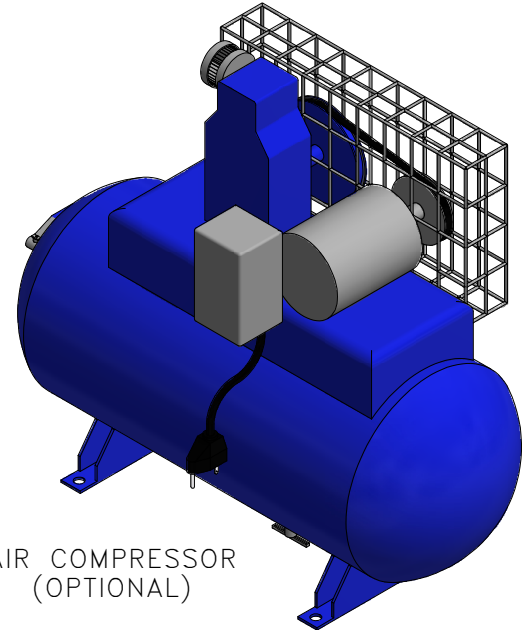
(2) HELIUM FLEX LINES 1/2" ID STANDARD LENGTH: 10ft LONGER LENGTHS AVAILABLE

NITROGEN FLEX LINE 1/4" ID STANDARD LENGTH: 10ft LONGER LENGTHS AVAILABLE

AL60 COLD HEAD

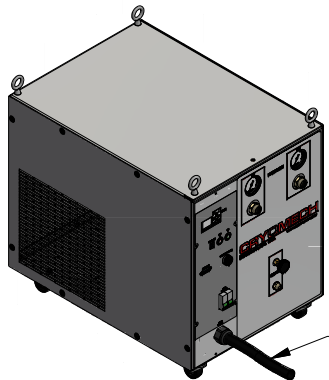


35 LITER LIQUID NITROGEN DEWAR ASSEMBLY



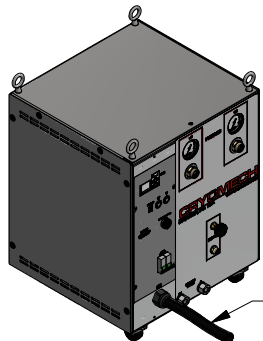
AIR COMPRESSOR (OPTIONAL)

COLDHEAD MOTOR CORD (SAME LENGTH AS FLEX LINES)



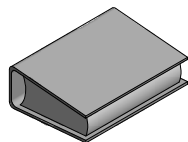
CP102 COMPRESSOR PACKAGE (AIR COOLED)

POWER CORD

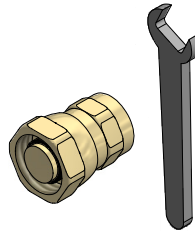


CP102 COMPRESSOR PACKAGE (WATER COOLED)

POWER CORD



MANUAL

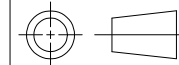


TOOL KIT



1 YEAR SPARE PARTS

THIRD ANGLE PROJECTION



CRYOMECH, INC

113 FALSO DRIVE SYRACUSE, N.Y. 13211
Tel: (315)455-2555 Fax:(315)455-2544

ALL DIMENSIONS ARE IN INCHES
TOLERANCES: FRACTIONS ±1/32 DECIMALS XXX=±.005 XX=±.01 X=±.1
ANGLES ±.5° ALLOVER FINISH 25 Ra
CONCENTRICITY .005 TOTAL INDICATOR RUN OUT
PERPENDICULAR ±.002 (UNLESS OTHERWISE SPECIFIED)

NAME: LNP10 LIQUID NITROGEN PLANT

DWG #: LNP10 SYSTEM

SHT 1 OF 1

MATERIAL: AS STATED

DWN BY: BL DATE: 18AUG04

SCALE: TO FIT

DWG SIZE: A

1ST CHK: RED DATE: 26AUG04

2ND CHK: NLO DATE: 26AUG04

CUST:

BTA:

ECN	ZONE	REV	DESCRIPTION	DATE
3940	-	B	CP100 COMPRESSORS REPLACE CP800's	16MAR17
1419	-	A	SEE ECN 1419	03JUL07
613	-	-	INITIAL RELEASE	18AUG04