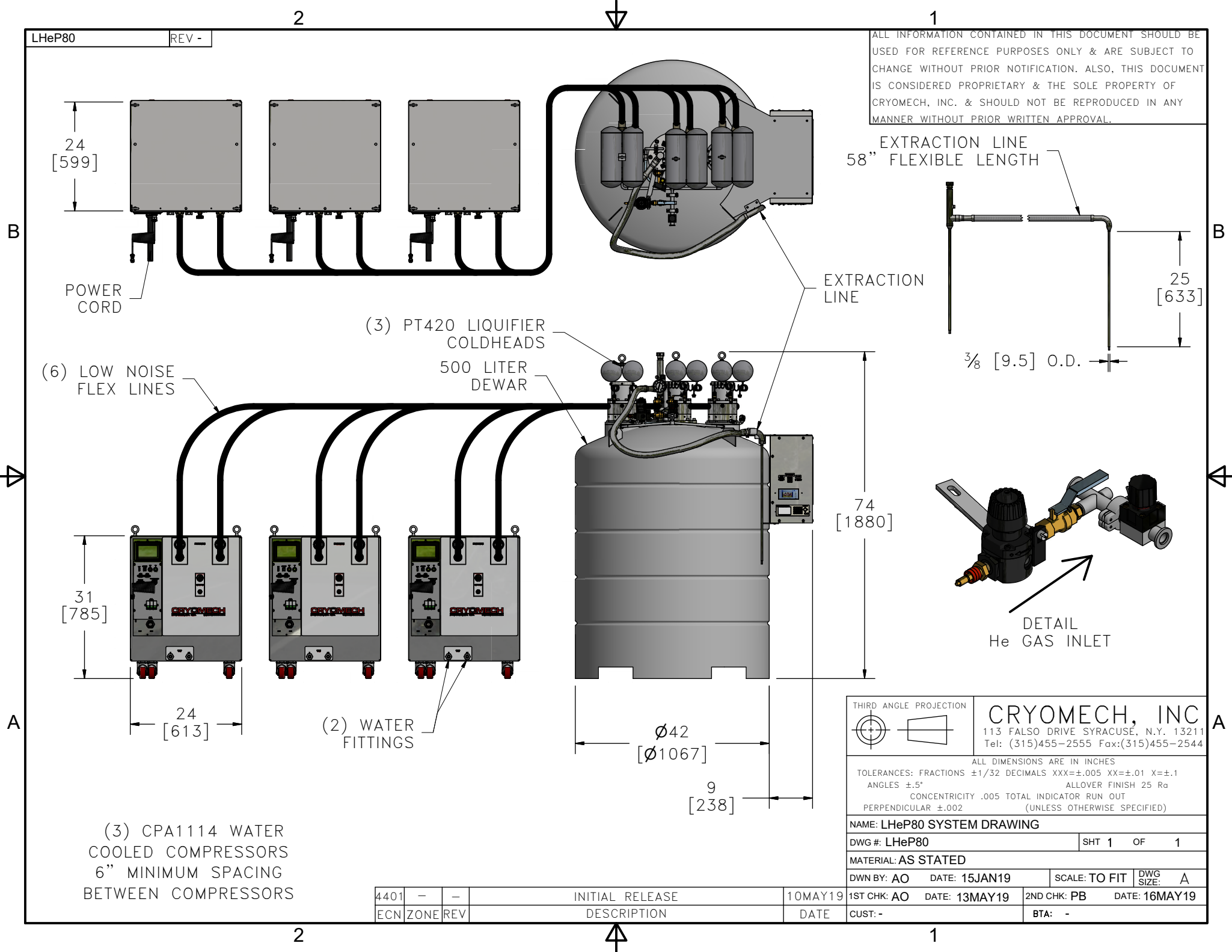
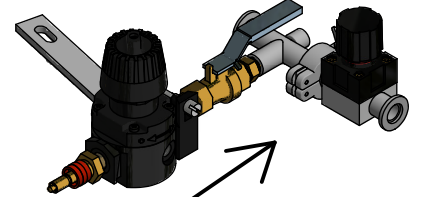
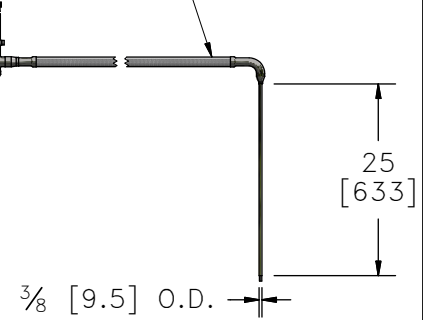


ALL INFORMATION CONTAINED IN THIS DOCUMENT SHOULD BE USED FOR REFERENCE PURPOSES ONLY & ARE SUBJECT TO CHANGE WITHOUT PRIOR NOTIFICATION. ALSO, THIS DOCUMENT IS CONSIDERED PROPRIETARY & THE SOLE PROPERTY OF CRYOMECH, INC. & SHOULD NOT BE REPRODUCED IN ANY MANNER WITHOUT PRIOR WRITTEN APPROVAL.



EXTRACTION LINE
58" FLEXIBLE LENGTH

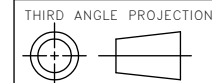


DETAIL
He GAS INLET

74
[1880]

Ø42
[Ø1067]

9
[238]



CRYOMECH, INC
113 FALSO DRIVE SYRACUSE, N.Y. 13211
Tel: (315)455-2555 Fax:(315)455-2544

ALL DIMENSIONS ARE IN INCHES
TOLERANCES: FRACTIONS ±1/32 DECIMALS XXX=±.005 XX=±.01 X=±.1
ANGLES ±.5° ALLOVER FINISH 25 Ra
CONCENTRICITY .005 TOTAL INDICATOR RUN OUT
PERPENDICULAR ±.002 (UNLESS OTHERWISE SPECIFIED)

NAME: LHeP80 SYSTEM DRAWING			
DWG #: LHeP80		SHT 1 OF 1	
MATERIAL: AS STATED			
DWN BY: AO	DATE: 15JAN19	SCALE: TO FIT	DWG SIZE: A
1ST CHK: AO	DATE: 13MAY19	2ND CHK: PB	DATE: 16MAY19
CUST: -		BTA: -	

(3) CPA1114 WATER COOLED COMPRESSORS
6" MINIMUM SPACING BETWEEN COMPRESSORS

4401	-	-	INITIAL RELEASE	10MAY19
ECN	ZONE	REV	DESCRIPTION	DATE

2

1

2

1