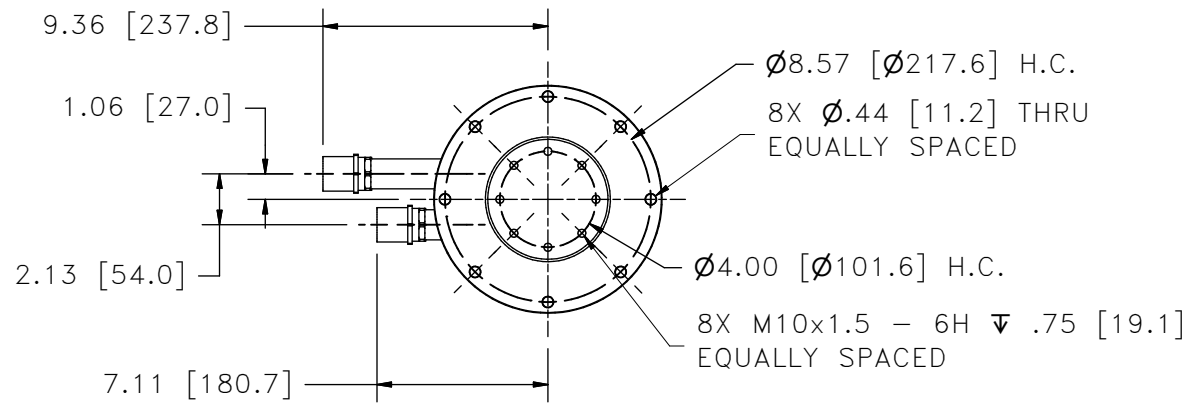
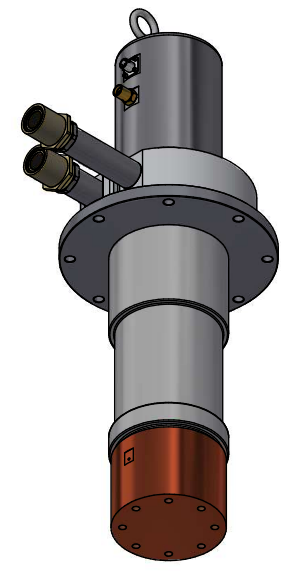
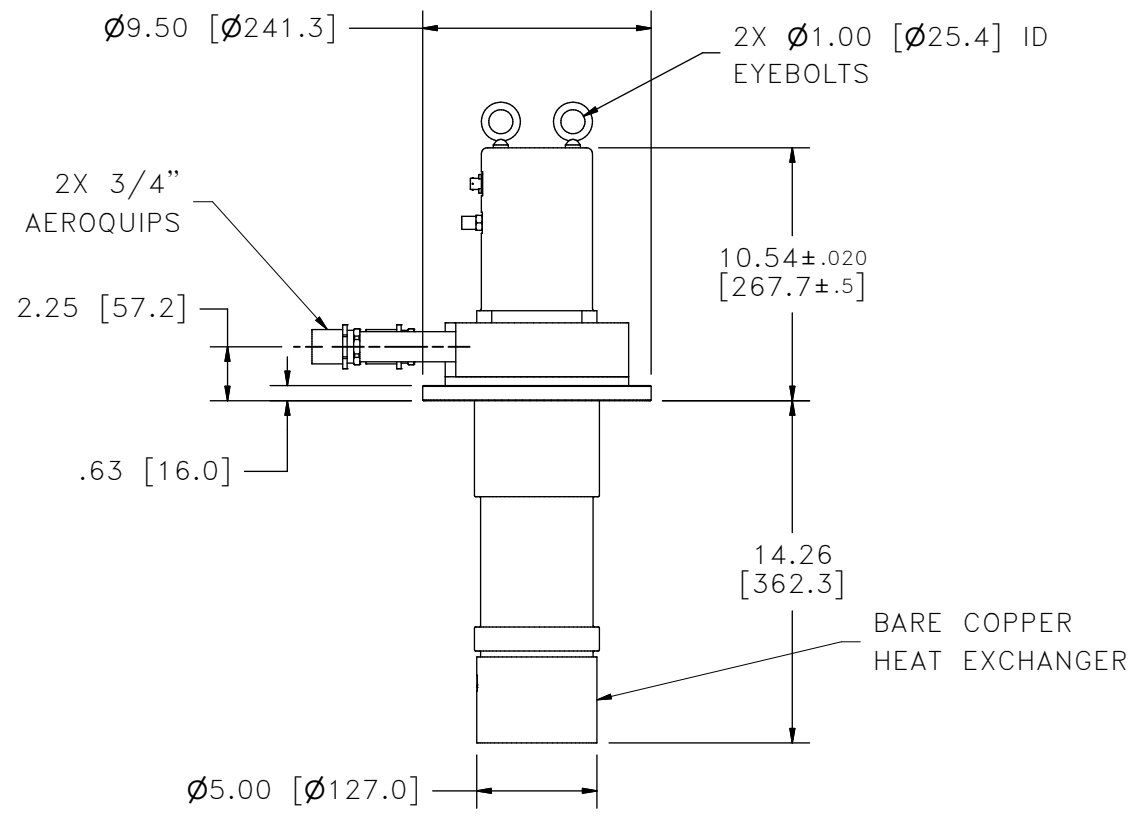


ALL INFORMATION CONTAINED IN THIS DOCUMENT SHOULD BE USED FOR REFERENCE PURPOSES ONLY & ARE SUBJECT TO CHANGE WITHOUT PRIOR NOTIFICATION. ALSO, THIS DOCUMENT IS CONSIDERED PROPRIETARY & THE SOLE PROPERTY OF CRYOMECH, INC. & SHOULD NOT BE REPRODUCED IN ANY MANNER WITHOUT PRIOR WRITTEN APPROVAL.



THIRD ANGLE PROJECTION

**CRYOMECH, INC.**  
 SYRACUSE, NY U.S.A. WWW.CRYOMECH.COM

UNLESS OTHERWISE SPECIFIED: ALL DIMENSIONS ARE IN INCHES ALTERNATE UNITS IN "[ ]" ARE FOR REFERENCE ONLY  
 TOLERANCES: X & X  $\frac{XX}{100}$  =  $\pm \frac{1}{16}$ , X.XXX =  $\pm .005$ , X.XX =  $\pm .01$   
 CIRCULAR RUNOUT .005 TIR, ANGULARITY .005, ALLOVER FINISH 25 Ra

NAME: AL630 COLDHEAD, STANDARD			
DWG #: CH1A630A		SHT 1 OF 1	
MATERIAL: 103-744			
DWN BY: ADF		DATE: 11APR22	SCALE: 1:8
1ST CHK: MRR		DATE: 29APR22	2ND CHK: GJG
DATE: 11APR22		DATE: 29APR22	
CUST: -		BTA: BTA-CH1A630	

5180	-	-	INITIAL RELEASE	11 APR22
ECN	ZONE	REV	DESCRIPTION	DATE