

ALL INFORMATION CONTAINED IN THIS DOCUMENT SHOULD BE USED FOR REFERENCE PURPOSES ONLY & ARE SUBJECT TO CHANGE WITHOUT PRIOR NOTIFICATION. ALSO, THIS DOCUMENT IS CONSIDERED PROPRIETARY & THE SOLE PROPERTY OF CRYOMECH, INC. & SHOULD NOT BE REPRODUCED IN ANY MANNER WITHOUT PRIOR WRITTEN APPROVAL.

B

B

(2) LOW NOISE HELIUM FLEX LINES
STANDARD LENGTH: 10ft
OTHER LENGTHS AVAILABLE

3/4" AEROQUIP

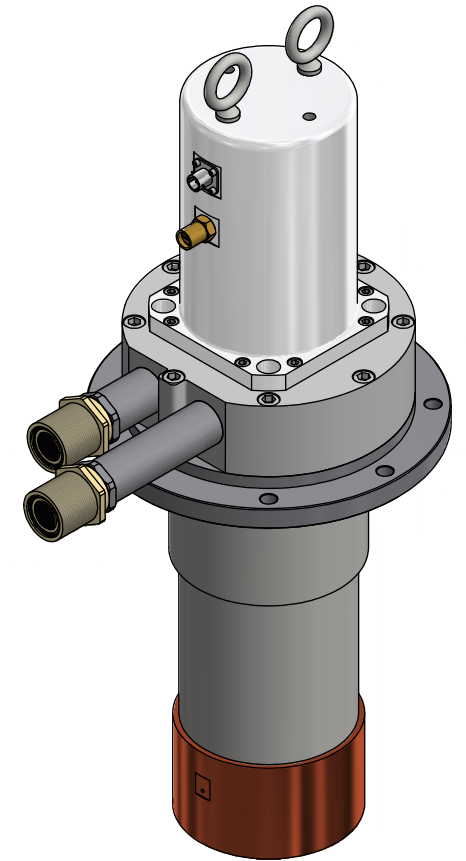
1" ID

1" ID

3/4" AEROQUIP

3/4" AEROQUIP

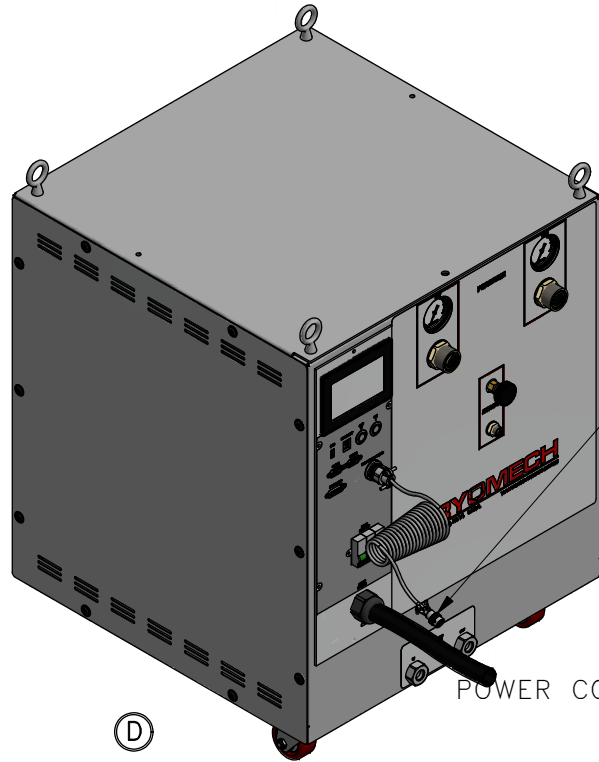
COLD HEAD
MOTOR CORD
(SAME LENGTH
AS FLEX LINES)



AL600 COLD HEAD

A

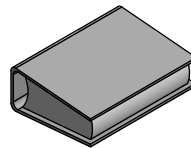
A



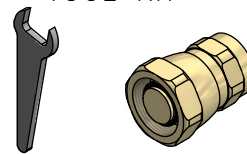
CPA1114 COMPRESSOR PACKAGE
(WATER COOLED)

POWER CORD

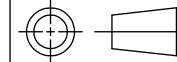
MANUAL



TOOL KIT



THIRD ANGLE PROJECTION



CRYOMECH, INC

113 FALSO DRIVE SYRACUSE, N.Y. 13211
Tel: (315)455-2555 Fax:(315)455-2544

ALL DIMENSIONS ARE IN INCHES
TOLERANCES: FRACTIONS ±1/32 DECIMALS XXX=±.005 XX=±.01 X=±.1
ANGLES ±.5° ALLOVER FINISH 25 Ra
CONCENTRICITY .005 TOTAL INDICATOR RUN OUT
PERPENDICULAR ±.002 (UNLESS OTHERWISE SPECIFIED)

NAME: AL600 CPA1114 CRYOREFRIGERATOR

DWG #: AL600 CPA1114 SYSTEM SHT 1 OF 1

MATERIAL: AS STATED

DWN BY: BMR DATE: 19OCT06 SCALE: TO FIT DWG SIZE: A

1ST CHK: AO DATE: 20OCT06 2ND CHK: BZ DATE: 25OCT06

CUST: - BTA: -

ECN	ZONE	REV	DESCRIPTION	DATE
3963	-	E	HELIUM LINE WAS 3/4" ID, NOW 1" ID	21APR17
3745	-	D	UPDATED COMPRESSOR PACKAGE	26MAY16
2949	B1	C	AL600 COLDHEAD REDESIGNED	29OCT12

2

1

1

D

D

E

D

D