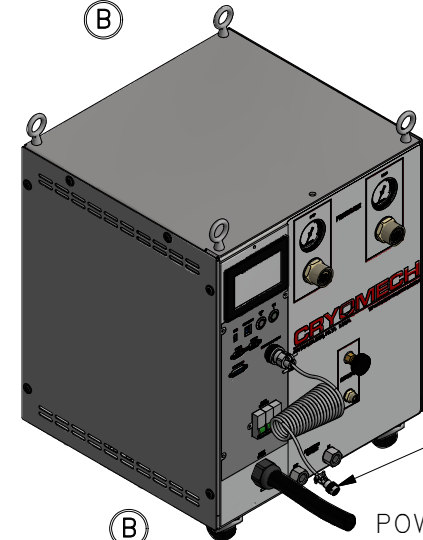
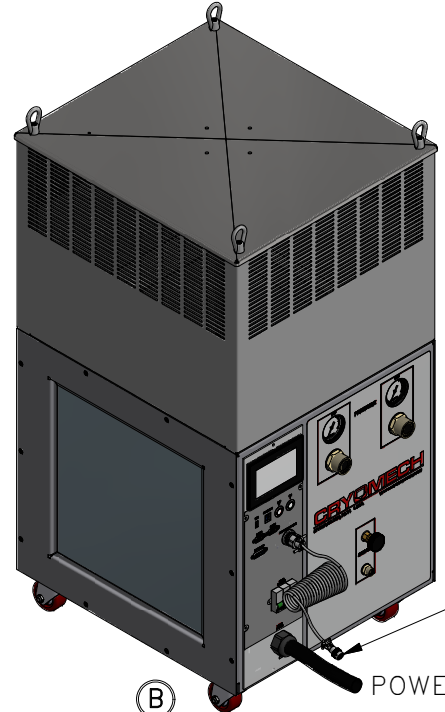


ALL INFORMATION CONTAINED IN THIS DOCUMENT SHOULD BE USED FOR REFERENCE PURPOSES ONLY & ARE SUBJECT TO CHANGE WITHOUT PRIOR NOTIFICATION. ALSO, THIS DOCUMENT IS CONSIDERED PROPRIETARY & THE SOLE PROPERTY OF CRYOMECH, INC. & SHOULD NOT BE REPRODUCED IN ANY MANNER WITHOUT PRIOR WRITTEN APPROVAL.

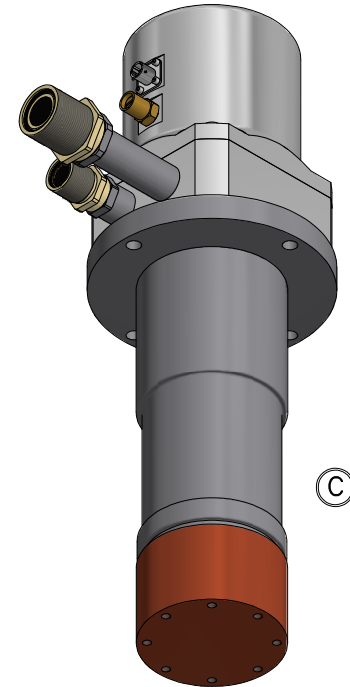
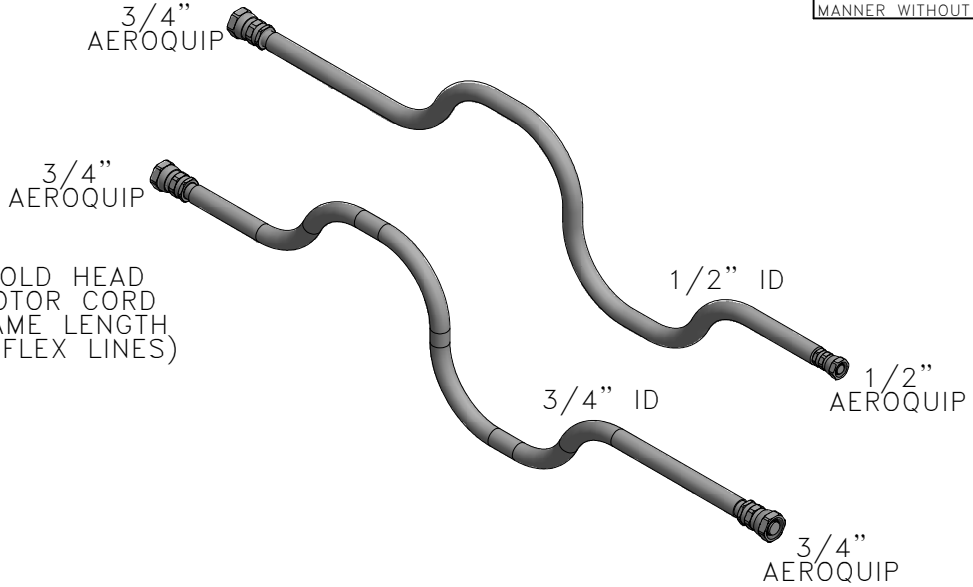


CPA2870 COMPRESSOR PACKAGE (WATER COOLED)

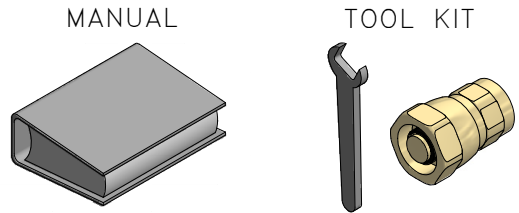


CPA2870 COMPRESSOR PACKAGE (AIR COOLED)

(2) HELIUM FLEX LINES
STANDARD LENGTH: 10ft
OTHER LENGTHS AVAILABLE



AL300 COLD HEAD



COLD HEAD MOTOR CORD (SAME LENGTH AS FLEX LINES)

THIRD ANGLE PROJECTION

CRYOMECH, INC
113 FALSO DRIVE SYRACUSE, N.Y. 13211
Tel: (315)455-2555 Fax:(315)455-2544

ALL DIMENSIONS ARE IN INCHES
TOLERANCES: FRACTIONS ±1/32 DECIMALS XXX=±.005 XX=±.01 X=±.1
ANGLES ±.5° ALLOVER FINISH 25 Ra
CONCENTRICITY .005 TOTAL INDICATOR RUN OUT
PERPENDICULAR ±.002 (UNLESS OTHERWISE SPECIFIED)

NAME: AL300 CPA2800 CRYOREFRIGERATOR			
DWG #: AL300 CPA2800 SYSTEM		SHT 1 OF 1	
MATERIAL: AS STATED			
DWN BY: BMR		DATE: 06JAN08	SCALE: TO FIT
1ST CHK: AO		DATE: 14JAN09	2ND CHK: BS
DATE: 14JAN09		DATE: 14JAN09	
CUST:		BTA:	

ECN	ZONE	REV	DESCRIPTION	DATE
3873	-	C	UPDATED COLDHEAD	28NOV16
3745	-	B	UPDATED COMPRESSOR PACKAGES	26MAY16
3072	-	A	ADDED AIR COOLED COMPRESSOR	15MAY13