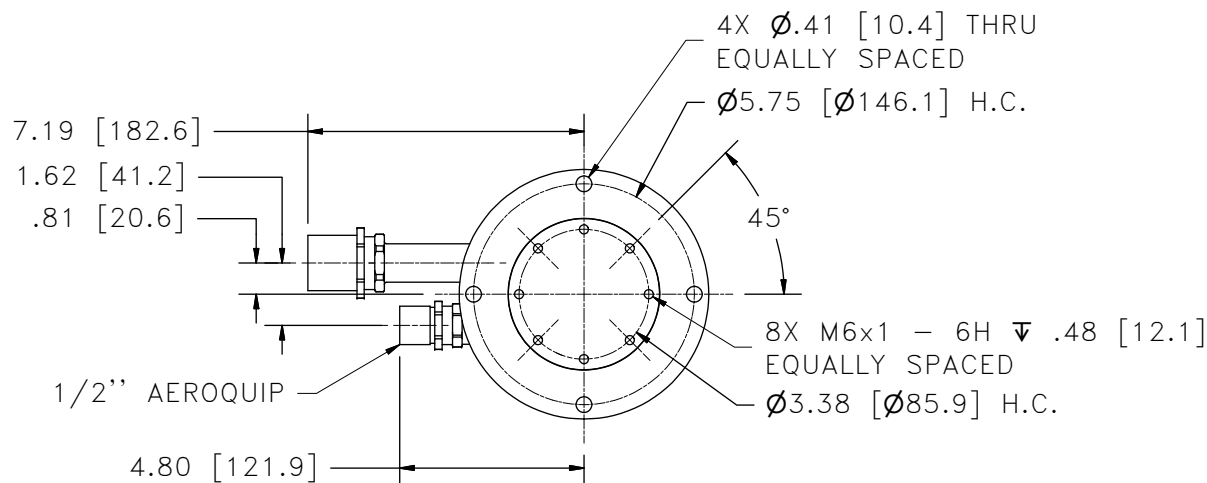
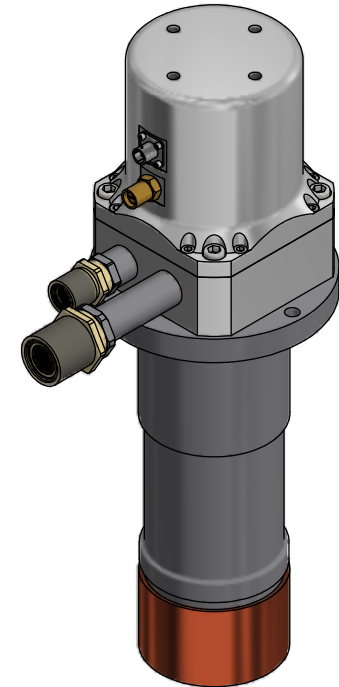
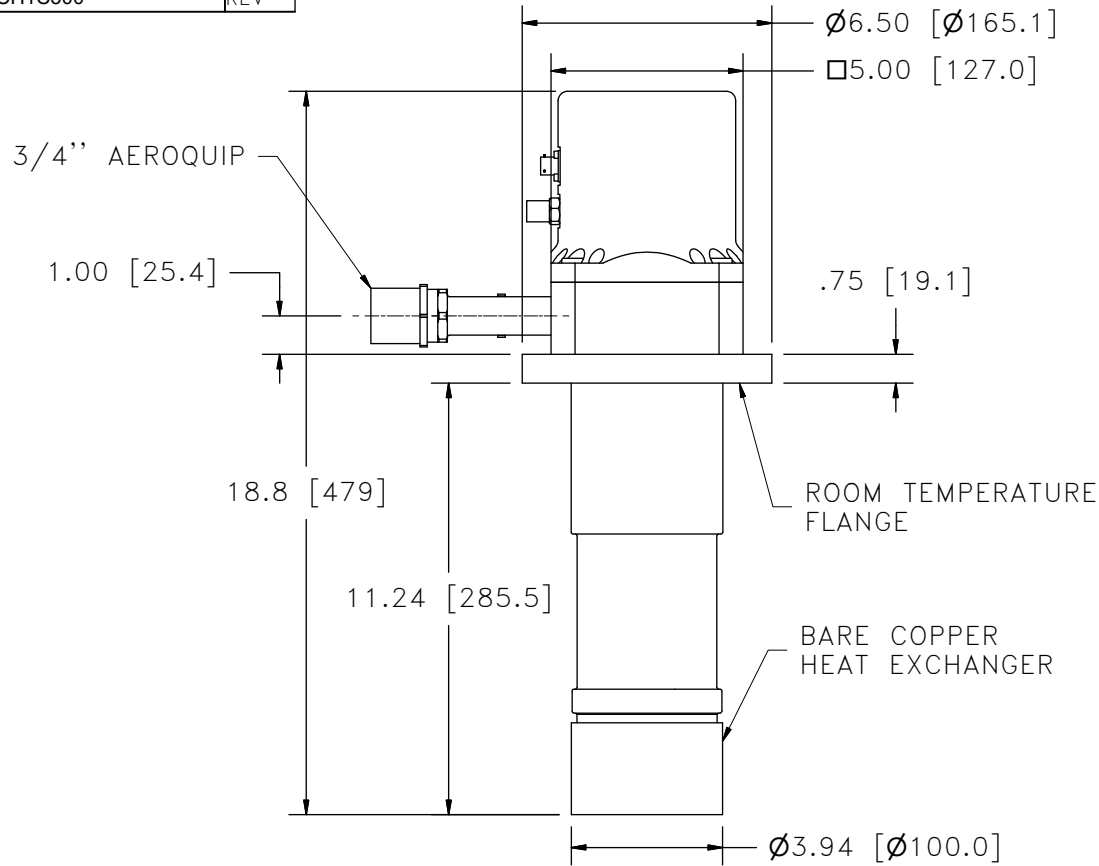


CH1C300 REV -

ALL INFORMATION CONTAINED IN THIS DOCUMENT SHOULD BE USED FOR REFERENCE PURPOSES ONLY & ARE SUBJECT TO CHANGE WITHOUT PRIOR NOTIFICATION. ALSO, THIS DOCUMENT IS CONSIDERED PROPRIETARY & THE SOLE PROPERTY OF CRYOMECH, INC. & SHOULD NOT BE REPRODUCED IN ANY MANNER WITHOUT PRIOR WRITTEN APPROVAL.



THIRD ANGLE PROJECTION		CRYOMECH, INC 113 FALSO DRIVE SYRACUSE, N.Y. 13211 Tel: (315)455-2555 Fax:(315)455-2544

ALL DIMENSIONS ARE IN INCHES
 TOLERANCES: FRACTIONS ±1/32 DECIMALS XXX=±.005 XX=±.01 X=±.1
 ANGLES ±.5° ALLOVER FINISH 25 Ra
 CONCENTRICITY .005 TOTAL INDICATOR RUN OUT
 PERPENDICULAR ±.002 (UNLESS OTHERWISE SPECIFIED)

NAME: CHIC300 OUTLINE DRAWING			
DWG #: CH1C300	SHT 1 OF 1		
MATERIAL: 103-382			
DWN BY: MCJ	DATE: 14APR16	SCALE: 1:5	DWG SIZE: A
1ST CHK: EP	DATE: 22SEP16	2ND CHK: PB	DATE: 22SEP16
CUST: -		BTA: BTA-CH1A300	

THIS DRAWING SUPERCEDES CH10300

3742	-	-	INITIAL RELEASE	14APR16
ECN	ZONE	REV	DESCRIPTION	DATE