

CH1C200 REV -

ALL INFORMATION CONTAINED IN THIS DOCUMENT SHOULD BE USED FOR REFERENCE PURPOSES ONLY & ARE SUBJECT TO CHANGE WITHOUT PRIOR NOTIFICATION. ALSO, THIS DOCUMENT IS CONSIDERED PROPRIETARY & THE SOLE PROPERTY OF CRYOMECH, INC. & SHOULD NOT BE REPRODUCED IN ANY MANNER WITHOUT PRIOR WRITTEN APPROVAL.

B

B

3/4" AEROQUIP

1.00 [25.4]

18.9 [480.7]

11.45 [290.9]

ROOM TEMPERATURE FLANGE

BARE COPPER HEAT EXCHANGER

Ø3.27 [83.1]

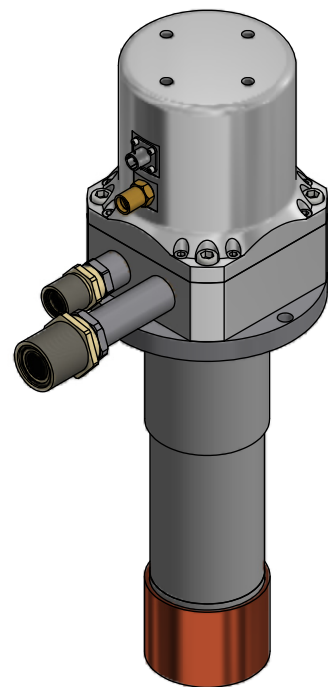
Ø6.25 [158.8]

□5.00 [127.0]

.63 [15.9]

A

A



7.19 [182.6]

1.62 [42.1]

.81 [20.6]

1/2" AEROQUIP

4.80 [121.9]

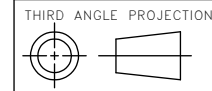
4X Ø.41 [10.4] THRU EQUALLY SPACED

Ø5.75 [146.1] H.C.

30°

6X M6x1 - 6H ▽ .38 [9.5] EQUALLY SPACED

Ø2.00 [50.8] H.C.



CRYOMECH, INC
113 FALSO DRIVE SYRACUSE, N.Y. 13211
Tel: (315)455-2555 Fax:(315)455-2544

ALL DIMENSIONS ARE IN INCHES
TOLERANCES: FRACTIONS ±1/32 DECIMALS .XXX=±.005 XX=±.01 X=±.1
ANGLES ±5° ALLOVER FINISH 25 Ra
CONCENTRICITY .005 TOTAL INDICATOR RUN OUT
PERPENDICULAR ±.002 (UNLESS OTHERWISE SPECIFIED)

NAME: CH1C200 OUTLINE DRAWING			
DWG #: CH1C200		SHT 1 OF 1	
MATERIAL: 103-368			
DWN BY: EP	DATE: 14APR16	SCALE: 1:5	DWG SIZE: A
1ST CHK: EP	DATE: 22SEP16	2ND CHK: PB	DATE: 22SEP16
CUST:		BTA: BTA-CH1A200	

THIS DRAWING SUPERCEDES CH1A200

3742	-	-	INITIAL RELEASE	12MAY16
ECN	ZONE	REV	DESCRIPTION	DATE

2

1

