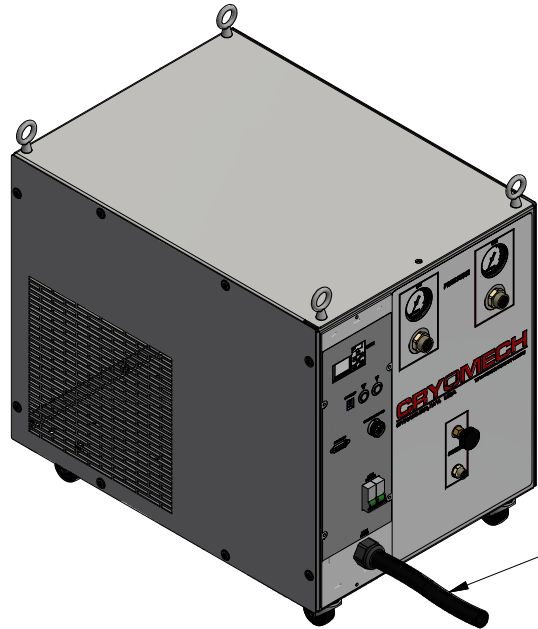
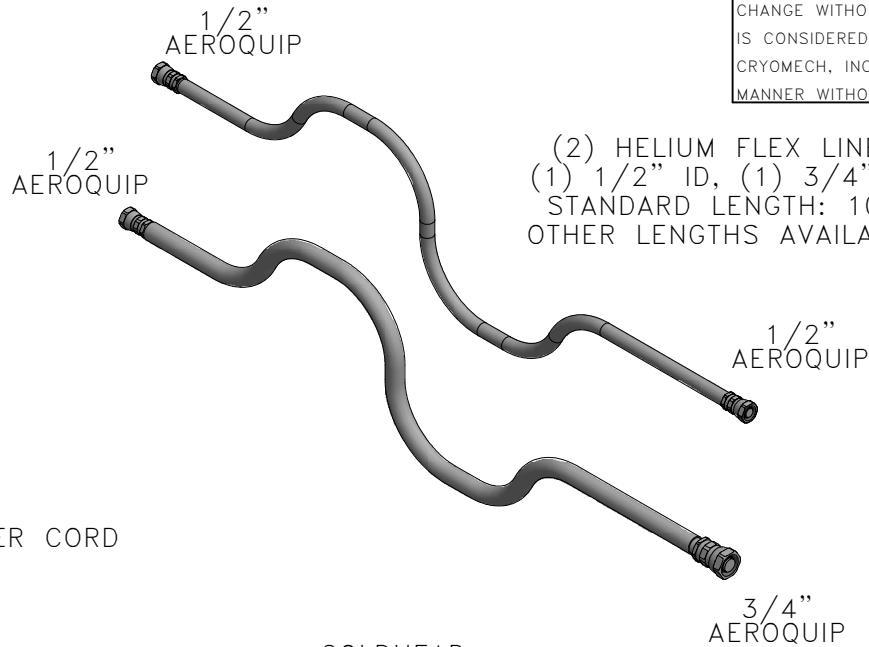


ALL INFORMATION CONTAINED IN THIS DOCUMENT SHOULD BE USED FOR REFERENCE PURPOSES ONLY & ARE SUBJECT TO CHANGE WITHOUT PRIOR NOTIFICATION. ALSO, THIS DOCUMENT IS CONSIDERED PROPRIETARY & THE SOLE PROPERTY OF CRYOMECH, INC. & SHOULD NOT BE REPRODUCED IN ANY MANNER WITHOUT PRIOR WRITTEN APPROVAL.

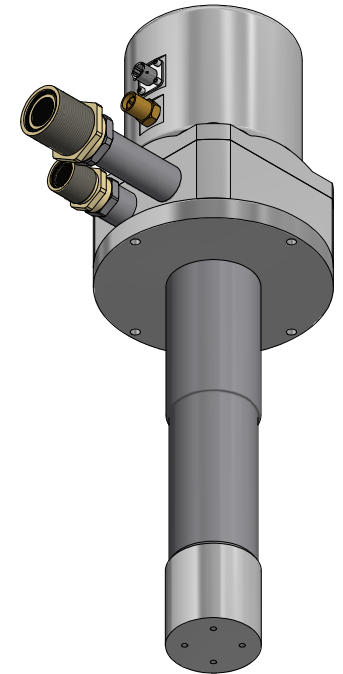


CP103 COMPRESSOR PACKAGE (AIR COOLED)



POWER CORD

COLDHEAD MOTOR CORD (SAME LENGTH AS FLEX LINES)

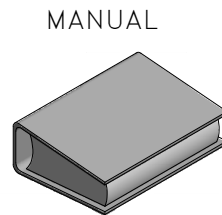


AL125 COLD HEAD



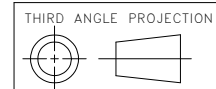
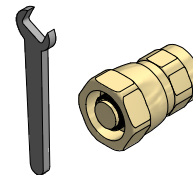
CP103 COMPRESSOR PACKAGE (WATER COOLED)

POWER CORD



MANUAL

TOOL KIT



THIRD ANGLE PROJECTION

CRYOMECH, INC
113 FALSO DRIVE SYRACUSE, N.Y. 13211
Tel: (315)455-2555 Fax:(315)455-2544

ALL DIMENSIONS ARE IN INCHES
TOLERANCES: FRACTIONS ±1/32 DECIMALS XXX=±.005 XX =±.01
ANGLES ±.5° ALLOVER FINISH 25 Ra
CONCENTRICITY .005 TOTAL INDICATOR RUN OUT
PERPENDICULAR ±.002 (UNLESS OTHERWISE SPECIFIED)

NAME: AL125 CRYOREFRIGERATOR			
DWG #: AL125 SYSTEM		SHT 1 OF 1	
MATERIAL: AS STATED			
DWN BY: BL	DATE: 19JUL04	SCALE: TO FIT	DWG SIZE: A
1ST CHK: RED DATE: 03AUG04		2ND CHK: JPC DATE: 03AUG04	
CUST:		BTA: BTA-AL125	

ECN	ZONE	REV	DESCRIPTION	DATE
3940	-	C	CP100 COMPRESSORS REPLACE CP800's	16MAR17
1499	-	B	SEE ECN 1499	13NOV07
599	-	A	CHANGED FROM 2D TO 3D	28JUL04