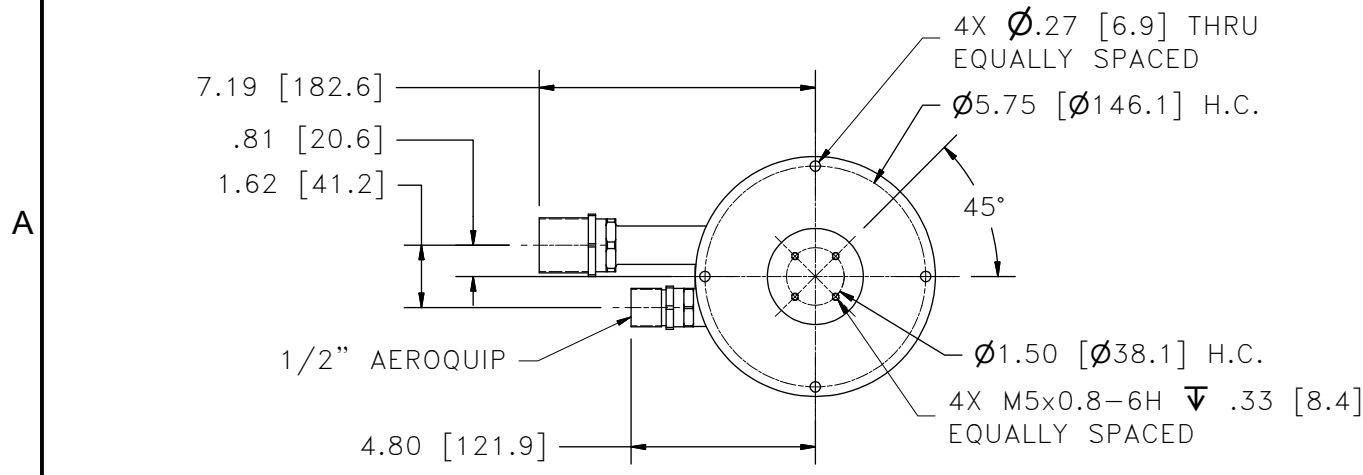
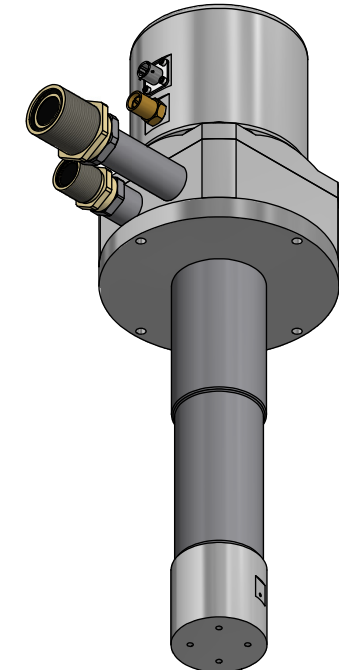
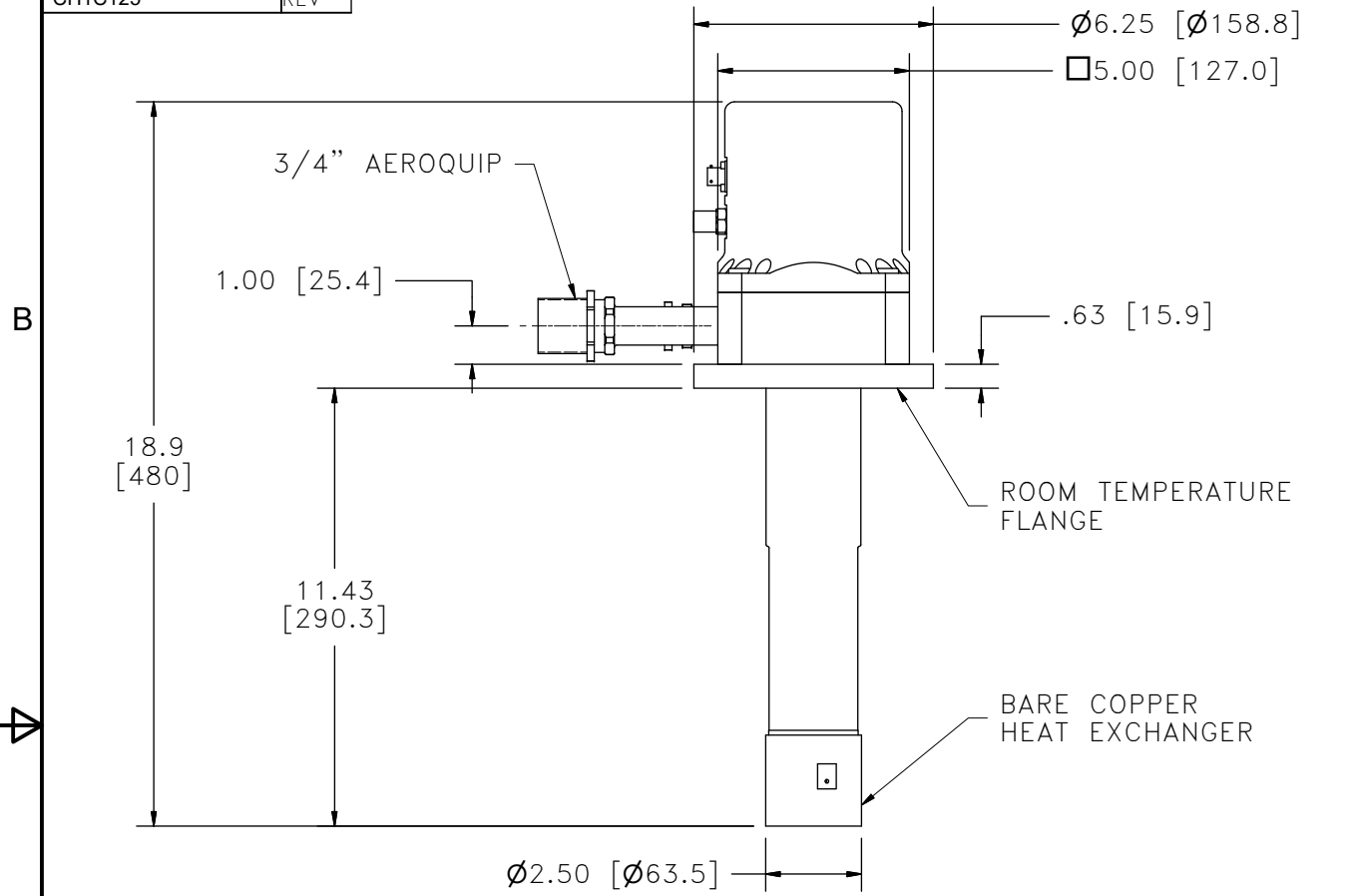


CH1C125 REV -

1  
ALL INFORMATION CONTAINED IN THIS DOCUMENT SHOULD BE USED FOR REFERENCE PURPOSES ONLY & ARE SUBJECT TO CHANGE WITHOUT PRIOR NOTIFICATION. ALSO, THIS DOCUMENT IS CONSIDERED PROPRIETARY & THE SOLE PROPERTY OF CRYOMECH, INC. & SHOULD NOT BE REPRODUCED IN ANY MANNER WITHOUT PRIOR WRITTEN APPROVAL.



THIS DRAWING SUPERSEDES CH1A125

THIRD ANGLE PROJECTION		CRYOMECH, INC	
		113 FALSO DRIVE SYRACUSE, N.Y. 13211 Tel: (315)455-2555 Fax:(315)455-2544	
ALL DIMENSIONS ARE IN INCHES			
TOLERANCES: FRACTIONS ±1/32 DECIMALS XXX=±.005 XX=±.01 X=±.1			
ANGLES ±.5° ALLOVER FINISH 25 Ra			
CONCENTRICITY .005 TOTAL INDICATOR RUN OUT			
PERPENDICULAR ±.002 (UNLESS OTHERWISE SPECIFIED)			
NAME: CH1C125 COLDHEAD OUTLINE			
DWG #: CH1C125		SHT 1 OF 1	
MATERIAL: 103-431			
DWN BY: CJS		DATE: 17NOV16	SCALE: 1/5
1ST CHK: EP		DATE: 07DEC16	DWG SIZE: A
2ND CHK: PB		DATE: 07DEC16	
CUST: -		BTA: BTA-CH1A125	

3865	-	-	INITIAL RELEASE	17NOV16
ECN	ZONE	REV	DESCRIPTION	DATE

2

1